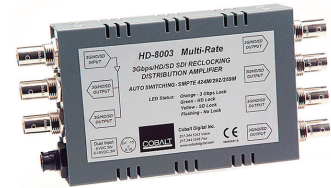


# 8003

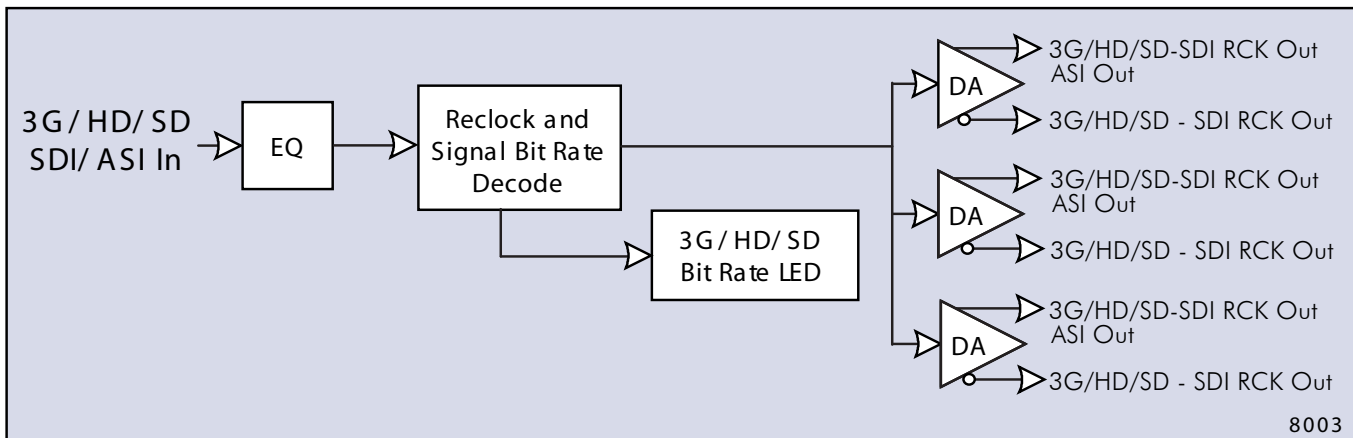
## 3G/HD/SD/ASI Reclocking Distribution Amplifier with Bit-Rate Status



The 8003 is an HD/SD/ASI multi-rate distribution amplifier that features HD/SD status LEDs for quick identification of the input bit rate. The 8003 is fully automatic and supports 424 (3 Gbit), 292 and 259M signals. The unit is equipped with 1 input and 6 reclocked SDI outputs. (Reclocking on 424M, 292 and 259M-C inputs, all other bit rates are non-reclocking.) The unit supports 1x3 ASI distribution using its non-inverting outputs.

### Features

- Six 3G/HD/SD equalized and reclocked outputs
- 1x3 ASI distribution capability
- Signal type (3G/HD/SD) status display
- Auto standard detect and configuration SMPTE 424M/292/259M
- Five year warranty



### Specifications

**Input**

SMPTE 424M 3 Gbps  
 SMPTE 292 1.485 Gbps  
 SMPTE 259M 143-540 Mbps  
 ASI

**Output**

6 reclocked HD/SD-SDI  
 1x3 ASI distribution (using 3 non-inverting outputs)

**Return loss**

> 15 dB

**Power**

5-18 VDC @ 3.5 watts  
 Requires Power Supply PS11 or PS12

**Size**

5.5" x 3" x 1" (139 x 77 x 26 mm)

### Ordering Information

- 8003** 3G/HD/SD/ASI Reclocking Distribution Amplifier with Bit-Rate Status (Supports SMPTE 424M - 3 Gbit)
- PS11** Universal Power Supply, UL/CSA, Input: 100-240 60/50 Hz, Output: 5V 1.5A
- PS12** Universal Power Supply, IEC Connector, CE/UL/CSA, Input: 100-240 60/50 Hz, Output: 5V 2A (International Power Supply. Specify country of destination.)