

9003



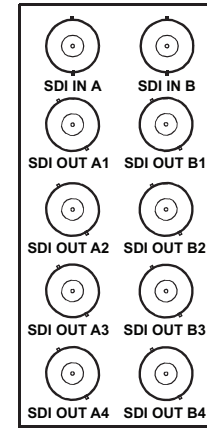
Dual 3G/HD/SD Reclocking Distribution Amplifier

The 9003 is a two-channel, multi-rate SDI distribution amplifier capable of equalizing and reclocking 3G, HD, and SD signals. The 9003 can be set up as either a single-channel 1:8, dual-channel 1:4, or 1:8 with failsafe using Dashboard™ remote control software or card-edge switches. In failsafe mode, the card automatically switches to the secondary input if the primary input is lost.

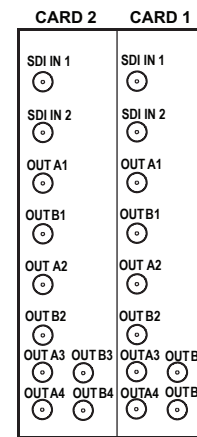


Features

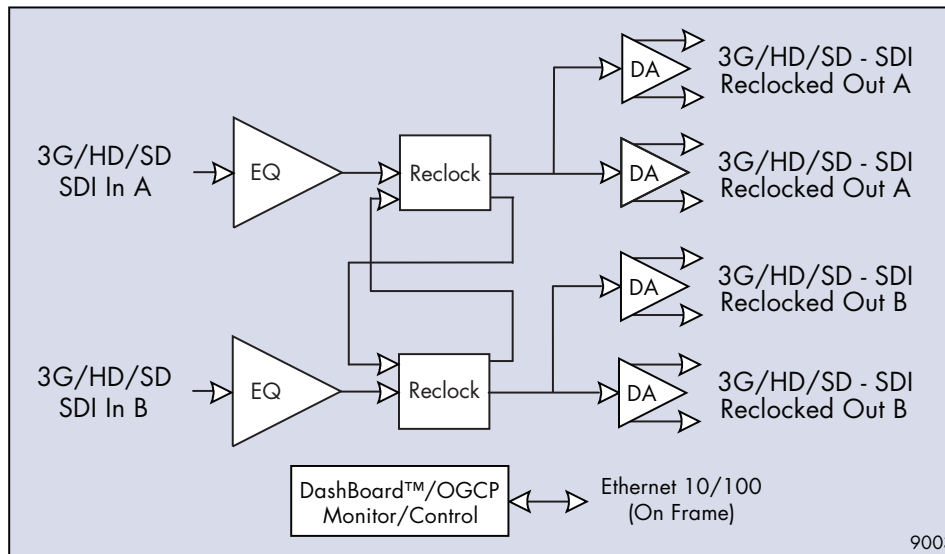
- Dual or single input with user-configurable modes
- Automatic rate detection/display for all popular data rates
- Equalizes up to 160m of Belden 1694A cable at 1.485 Gbit
- Remote monitoring via Dashboard™ software or OGCP-9000 remote control panel
- Failsafe mode automatically switches to secondary input on primary input loss
- Five year warranty



RM20-9003-A



RM20-9003-B/S



9003 Block Diagram

Specifications

Electrical

Power: 3 watts

3G/HD/SD-SDI Input

Number of Inputs: 2
 Standard: SMPTE 424M, 292M, and 259M
 Return Loss: >15 dB at 5 MHz - 1.485 GHz
 >10 dB at 1.5 GHz to 3 GHz

Cable Length Equalized (w/Belden 1694A)

3 Gbps: 100m
 1.485 Gbps: 160m
 143-360 Mbps: 350m

3G/HD/SD-SDI Output

Number of outputs: 8 (4 ASI Compatible)
 Standard: SMPTE 424M, 292M, and 259M
 Signal Level: 800 mV nominal
 Return Loss: >15 dB at 5 MHz - 1.485 GHz
 >10 dB at 1.5 GHz to 3 GHz
 Jitter (wideband): HD: < 0.2 UI

Ordering Information

9003

Dual 3G/HD/SD Reclocking Distribution Amplifier, 2 X 4 or 1 X 8 Configurations, Failover mode

RM20-9003-A

8321 Frame Rear I/O Module (Standard Width) 2 HD/SD-SDI Inputs, 8 Reclocked HD/SD-SDI Outputs

RM20-9003-B/S-HDBNC

8321 Frame Rear I/O Module (Split) Dual HD/SD-SDI Inputs (HDBNC), 1x4 / 1x4 HD/SD-SDI Outputs (HDBNC) (High Density)

RM20-9003-B/S-DIN

8321 Frame Rear I/O Module (Split) Dual HD/SD-SDI Inputs (DIN1.0/2.3), 1x4 / 1x4 HD/SD-SDI Outputs (DIN1.0/2.3) (High Density)

