

9004



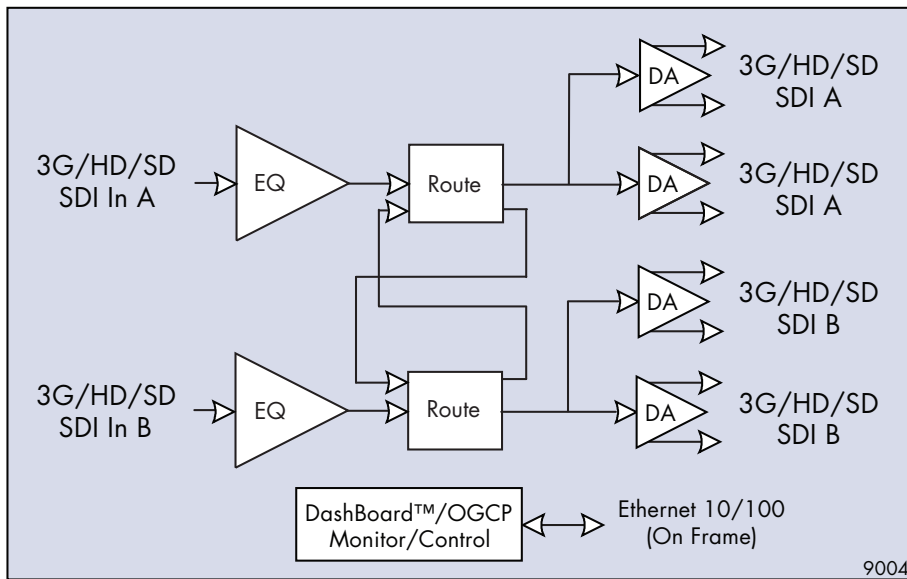
Dual 3G/HD/SD Distribution Amplifier (Non-Reclocking)



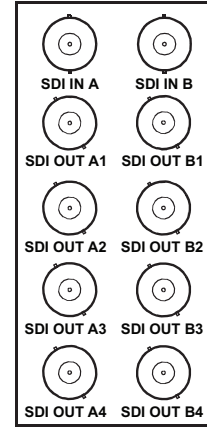
The 9004 is a dual multi-rate SDI distribution amplifier capable of equalizing 3G, HD, and SD signals.

Features

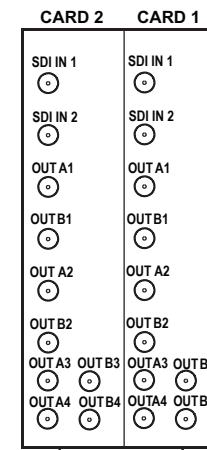
- Automatic rate detection/display for all popular data rates
- Equalizes up to 160m of Belden 1694A cable at 1.485 Gbit
- Failsafe mode automatically switches to secondary input on primary input loss
- Remote monitoring via Dashboard™ software or OGCP-9000 remote control panel
- Five year warranty



9004 Block Diagram



RM20-9004-A



RM20-9004-B/S

Specifications

Electrical

Power: 3 watts

3G/HD/SD-SDI Input

Number of Inputs: 2

Standard: SMPTE 424M, 292M, and 259M

Return Loss: >15 dB at 5 MHz - 1.485 GHz
>10 dB at 1.5 GHz to 3 GHz

Cable Length Equalized (w/Belden 1694A)

3 Gbps: 100m

1.485 Gbps: 160m

143-360 Mbps: 350m

3G/HD/SD-SDI Output

Number of outputs: 8 (4 ASI Compatible)

Standard: SMPTE 424M, 292M, and 259M

Signal Level: 800 mV nominal

Return Loss: >15 dB at 5 MHz - 1.485 GHz
>10 dB at 1.5 GHz to 3 GHz

Jitter (wideband): HD: < 0.2 UI

Ordering Information

9004

Dual 3G/HD/SD Non-Reclocking Distribution Amplifier, 2 X 4 or 1 X 8 Configurations, Failover Mode

RM20-9004-A

8321 Frame Rear I/O Module (Standard Width) 2 HD/SD-SDI Inputs, 8 HD/SD-SDI Outputs

RM20-9004-B/S-HDBNC

8321 Frame Rear I/O Module (Split) Dual HD/SD-SDI Inputs (HDBNC), 1x4 / 1x4 HD/SD-SDI Outputs (HDBNC) (High Density)

RM20-9004-B/S-DIN

8321 Frame Rear I/O Module (Split) Dual HD/SD-SDI Inputs (DIN1.0/2.3), 1x4 / 1x4 HD/SD-SDI Outputs (DIN1.0/2.3) (High Density)

