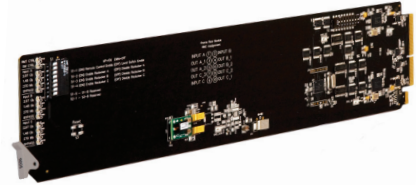


9005



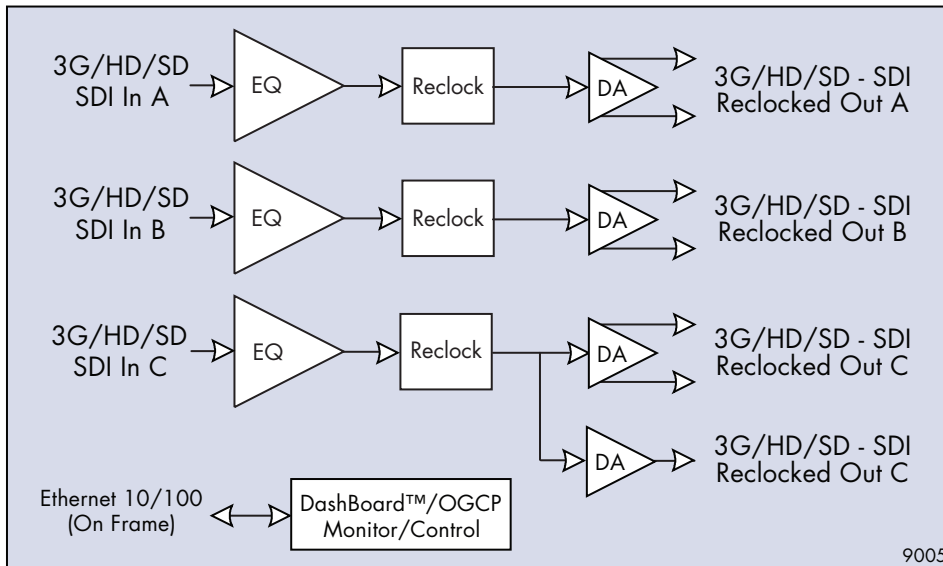
Triple 3G/HD/SD Reclocking Distribution Amplifier



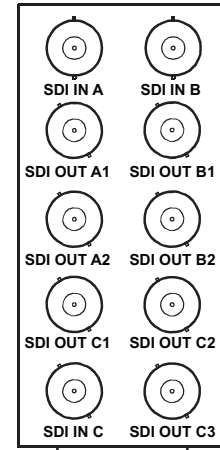
The 9005 is a three-channel, multi-rate SDI distribution amplifier capable of equalizing and reclocking 3G, HD, and SD signals.

Features

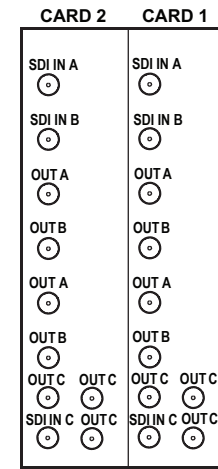
- Automatic rate detection/display for all popular data rates
- Remote control/monitoring via DashBoard™ software or OGCP-9000 remote control panel
- Five year warranty



9005 Block Diagram



RM20-9005-A



RM20-9005-B/S

Specifications

Electrical

Power: 3 watts

3G/HD/SD-SDI Input

Number of Inputs: 3
 Standard: SMPTE 424M, 292M, and 259M
 Return Loss: >15 dB at 5 MHz - 1.485 GHz
 >10 dB at 1.5 GHz to 3 GHz

3G/HD/SD-SDI Output

Number of outputs: 7 (3 ASI Compatible)
 Standard: SMPTE 424M, 292M, and 259M
 Signal Level: 800 mV nominal
 Return Loss: >15 dB at 5 MHz - 1.485 GHz
 >10 dB at 1.5 GHz to 3 GHz
 Jitter (wideband): HD: < 0.2 UI

Ordering Information

9005

Triple 3G/HD/SD Reclocking Distribution Amplifier, 3 Channels: 1x2, 1x2, 1x3

RM20-9005-A

8321 Frame Rear I/O Module (Standard Width) 3 HD/SD-SDI Inputs, 7 Reclocked HD/SD-SDI Outputs

RM20-9005-B/S-HDBNC

8321 Frame Rear I/O Module (Split) Triple HD/SD-SDI Inputs (HDBNC), 1x2 / 1x2 / 1x3 HD/SD-SDI Outputs (HDBNC) (High Density)

RM20-9005-B/S-DIN

8321 Frame Rear I/O Module (Split) Triple HD/SD-SDI Inputs (DIN1.0/2.3), 1x2 / 1x2 / 1x3 HD/SD-SDI Outputs (DIN1.0/2.3) (High Density)

