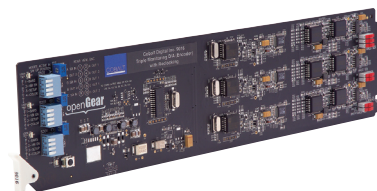


# 9016



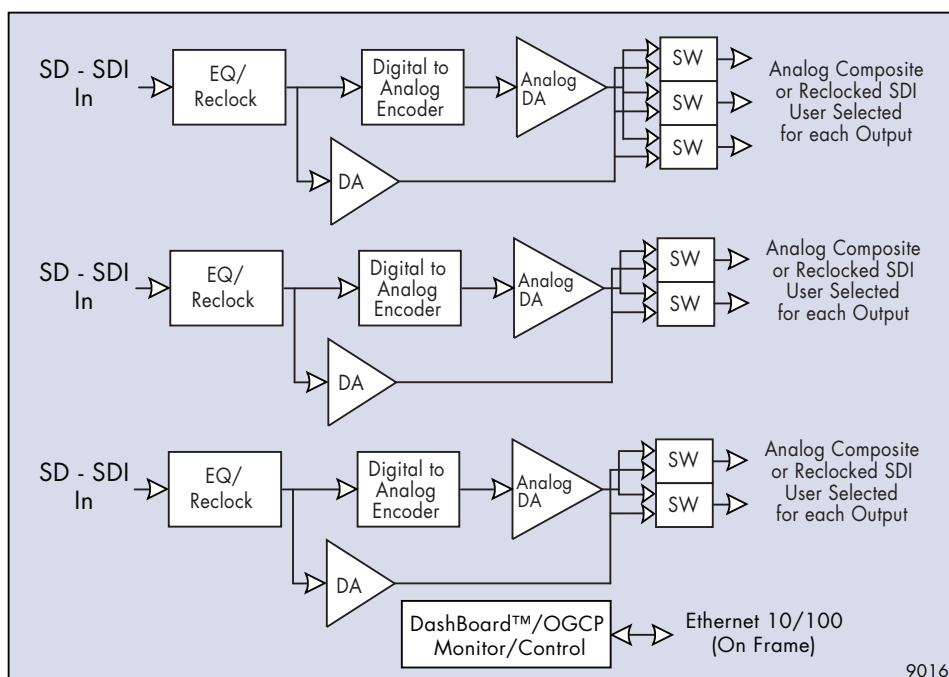
## Triple Monitoring Converter SDI to Analog Composite with Reclocked SDI



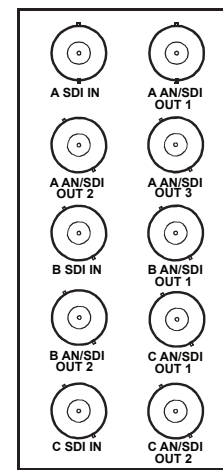
The 9016 is a triple SDI-to-analog composite encoder with reclocked SDI. Analog or digital output configuration can be selected as needed for a given application. The 9016 has three separate SDI encoders, providing three outputs on converter A, two outputs on converter B, and two outputs on converter C. Each output can be selected to be either analog or digital. Analog output gain control for composite is adjustable using card-edge controls.

### Features

- Three conversions on one card (SDI SMPTE 259M-C)
- User selectable analog composite or SDI outputs
- 8-bit data path, 10-bit DAC
- Automatic configuration NTSC/PAL
- Color encoding user selectable to B&W
- Built-in color bar test generator (analog outputs only)
- Video gain control accessible on card edge
- Data-lock indicator
- VBI blanking on/off
- Remote control/monitoring via DashBoard™ software or OGCP-9000 remote control panel
- Five year warranty



9016 Block Diagram



RM20-9016-A

### Specifications

#### Electrical

Power: 7 watts

#### SD-SDI Inputs

Number of Inputs: 3

Standard: SMPTE 259M-C

#### Outputs

Number of Outputs: 3x2x2 A, B, and C-Channel outputs; configurable as analog composite or reclocked SDI

#### Indicators

3 data lock indicators (1 per converter)

### Ordering Information

**9016** Triple Monitoring Converter - SDI to Analog Composite with Reclocked SDI

**RM20-9016-A** 8321 Frame Rear I/O Module (Standard Width) -Ch A: 3 Out,-Ch B: 2 Out,-Ch C: 2 Out (Outputs switchable between Composite or Reclocked SDI)

openGear

DashBoard