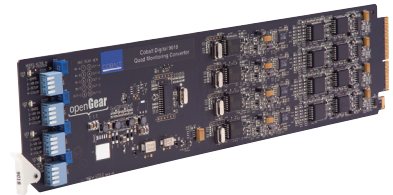


9018



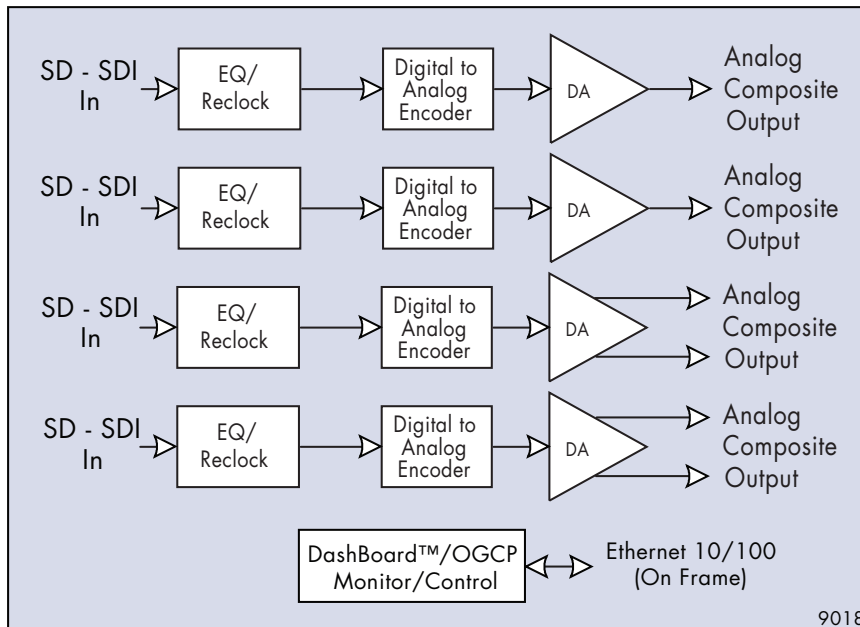
Quad Monitoring Converter SDI to Analog Composite



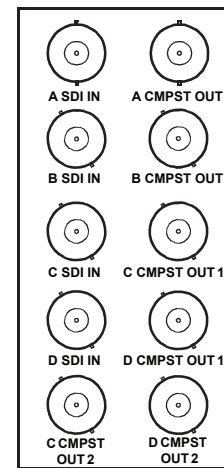
The 9018 is a quad 4:2:2 SDI-to-analog composite converter. Card-edge gain, status LED, and configuration switches allow adjustments without having to remove the card from the frame. Configuration switches allow access to setup on/off (NTSC only), VBI blanking on/off and test color bars on/off. Other features include true sync output levels of -300 mV, low power consumption, and remote monitoring (including power and temperature) using DashBoard™ software.

Features

- Four conversions on one card (SDI SMPTE 259M-C)
- 8-bit input, 10-bit DAC
- Built-in color bar generator (Requires SDI clocking input)
- Automatic configuration NTSC/PAL
- Color encoding user selectable to B&W
- User gain control in-frame accessible from card edge
- User setup switches in-frame accessible from card edge
- Data-lock indicator
- VBI blanking on/off
- Remote control/monitoring via DashBoard™ software or OGCP-9000 remote control panel
- Five year warranty



9018 Block Diagram



RM20-9018-A

Specifications

Input
4-270 Mbit SMPTE 259M-C

Output
4- Analog composite video

Frequency Response
0-5 MHz +/- 0.25 dB

SNR
> 70 dB

Chroma Luma Delay
< 2 nS

Power
8 watts

Indicators
Data lock - 1 per converter

Ordering Information

9018 Quad Monitoring Converter- SDI to Analog Composite

RM20-9018-A 8321 Frame Rear I/O Module (Standard Width) -Ch A: 1 Output, -Ch B: 1 Output, -Ch C: 2 Outputs, -Ch D: 2 Outputs

