

9212-FTx



3G/HD/SD-SDI Fiber Transmitter

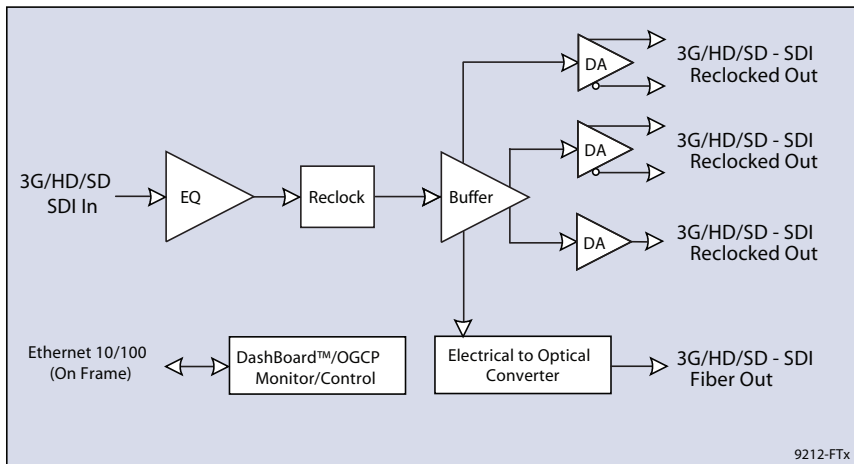


The 9212-FTx is a 3G/HD/SD-SDI fiber transmitter (EO) card. The card converts an SDI signal to a fiber optic link, allowing for longer transport distances. The 9212-FTx also equalizes the incoming SDI signal, and then reclocks the signal with automatic rate detection for all popular data rates. Card-edge LED indicators identify the presence of incoming video and the identified signal data rate. With full 3G/HD/SDI support of both fiber and coax, the 9212-FTx is the ideal universal SDI distribution amplifier.

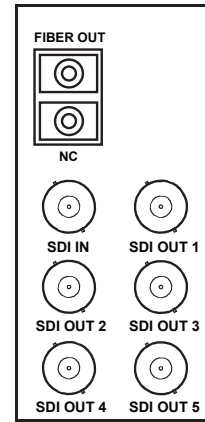
The 9212-FTx can operate as a 1x5 (one in, five out) BNC DA with fiber output using a full rear module (RM20-9212-B) or as an independent 1x2 BNC DA with fiber output using the split rear module (RM20-9212-B/S). In the 1x2 configuration, the outputs are non-inverting making it an excellent ASI distribution amplifier. Using the split rear module, up to 20 9212-FTx cards can be used in a frame.

Features

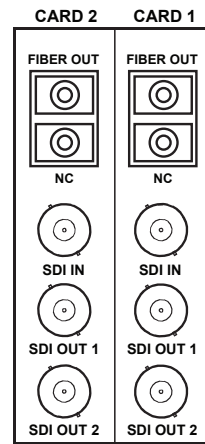
- Conforms to SMPTE 424M, SMPTE 292M, and SMPTE 259M
- Automatic detection of incoming data rate
- High density with 20 cards per 8321 frame using split rear modules
- Remote monitoring via Dashboard™ software or OGCP-9000 control panel
- Reclocking at 270 Mbps, 1.483 Gbps, 1.485 Gbps, and 2.970 Gbps
- LED indicators for signal presence and data rate
- Five year warranty
- LC/UPC optical connection



9212-FTx Block Diagram



RM20-9212-B



RM20-9212-B/S

Specifications

Electrical

Power: 4 watts

Optical Input

Number of Inputs: 1
 Standard: 143-360 Mbps - SMPTE 259M
 1.485 Gbps - SMPTE 292
 3 Gbps - SMPTE 424M

Operating Wavelength Range:
 1210 nm to 1600 nm

SDI Outputs

Number of Outputs: Full Rear Module: 5 SDI BNC; 1 Fiber
 Split Rear Module: 2 SDI BNC; 1 Fiber
 Return Loss: >15 dB to 1.485 GHz
 >10 dB from 1.485 GHz to 2.97 GHz
 Connector Type: BNC and Single Mode, LC/UPC

Ordering Information

- 9212-FTx** 3G/HD/SD Fiber Transmitter Card
- RM20-9212-B** 8321 Frame Rear I/O Module (Standard Width) with 1 Optical LC Output, 5 Reclocked Copies of Input
- RM20-9212-B/S** 8321 Frame Rear I/O Module (Split) with 1 Optical LC Output, 2 Reclocked Copies of Input

