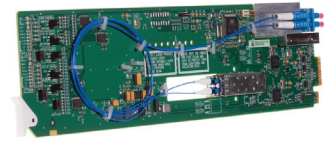


9213-FRxRx



Dual 3G/HD/SD-SDI Fiber Receiver

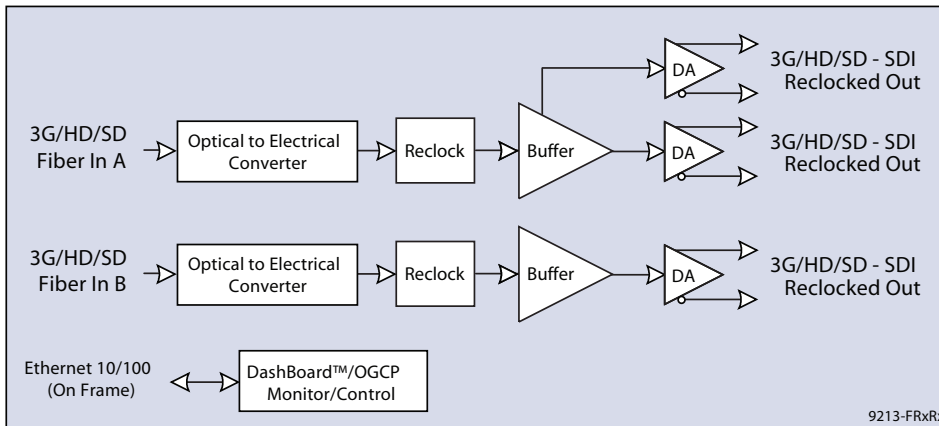


The 9213-FRxRx is a dual 3G/HD/SD-SDI fiber receiver (OE) card. The card converts two fiber optic signals to independent SDI output signals. The 9213-FRxRx detects the incoming fiber signal and outputs the up to six SDI signals over six BNC connectors. Card-edge LED indicators identify the presence of incoming video and the identified signal data rate.

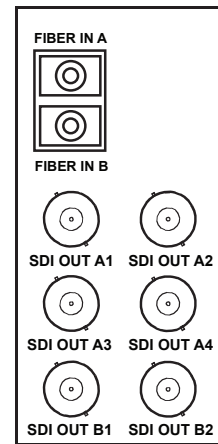
The 9213-FRxRx is fully hot swappable with all active components on the front removable module. No active components are installed on the rear module, greatly reducing down time and eliminating any need for users to access the back of the rack frame. Up to 20 cards can be used in the 8321 frame to achieve a density of 40 optical to electrical conversions in 2RU.

Features

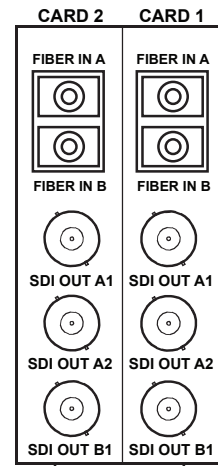
- Supports single-mode fiber
- Reclocking at 270 Mbps, 1.483 Gbps, 1.485 Gbps, 2.967 Gbps, and 2.970 Gbps
- LC/UPC optical connection
- Automatic detection of incoming data rate
- LED indicators for signal presence and data rate
- Remote monitoring via Dashboard™ software or OGCP-9000 control panel
- Five year warranty



9213-FRxRx Block Diagram



RM20-9213-B



RM20-9213-B/S

Specifications

Electrical

Power: 5 watts

Optical Input

Number of Inputs: 2
 Standard: 143-360 Mbps - SMPTE 259M
 1.485 Gbps - SMPTE 292
 3 Gbps - SMPTE 424M

Operating Wavelength Range: 1210 nm to 1600 nm

Connector Type: Single Mode, LC/UPC

SDI Outputs

Number of Outputs: Full Rear Module: 6
 Split Rear Module: 3
 Return Loss: >15 dB to 1.485 GHz
 >10 dB from 1.485 GHz to 2.97 GHz
 Connector Type: BNC

Ordering Information

- 9213-FRxRx** Dual 3G/HD/SD Fiber Receiver Card
- RM20-9213-B** 8321 Frame Rear I/O Module (Standard Width) with 2 Optical LC Inputs, 4 Reclocked Outputs of Input 1 and 2 Reclocked Outputs of Input 2
- RM20-9213-B/S** 8321 Frame Rear I/O Module (Split) with 2 Optical LC Inputs, 2 Reclocked Outputs of Input 1 and 1 Reclocked Output of Input 2

