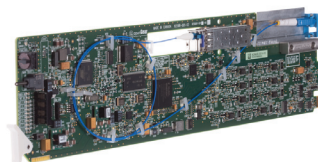


9215-FTx-EM



AES/EBU Fiber Audio Embedder

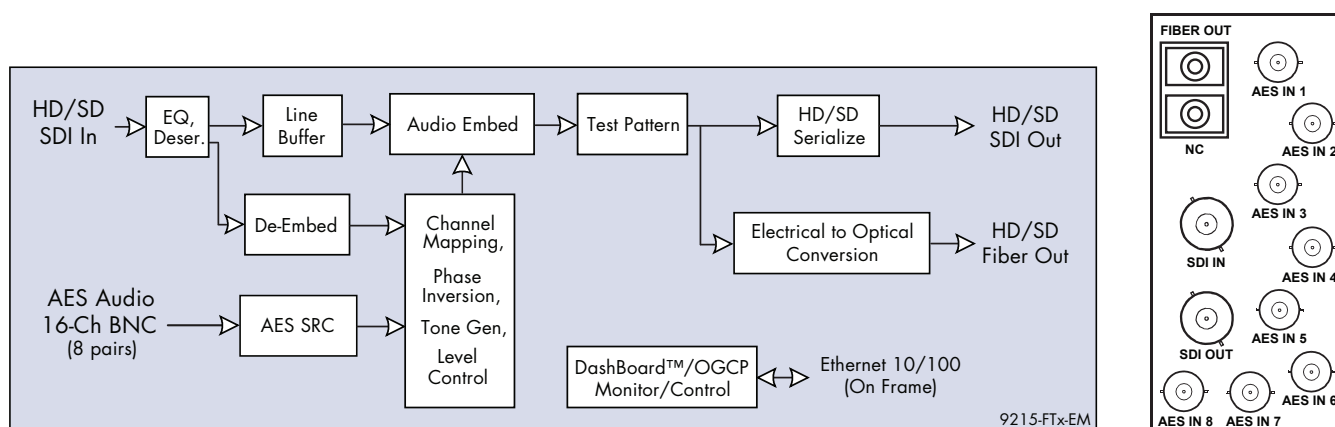


The 9215-FTx-EM accepts an HD/SD-SDI BNC input along with up to eight AES BNC audio pairs, providing embedding and audio processing. The card provides SDI outputs on HD-SD-SDI BNC and fiber outputs.

The 9215-FTx-EM offers full 24-bit audio processing/routing control (card edge and remote control) for individual channel gain, delay (up to one second), phase invert, as well as channel summing. Individual-channel SRC is also provided. User presets allow fast and easy recall of custom settings.

Features

- Conforms to SMPTE 259M and SMPTE 292M
- LC/UPC optical connection
- Audio channel mapping, level control, phase inversion, and summing
- Audio delay user-adjustable up to one second
- Automatic detection of incoming data rate
- LED indicators for signal presence and data rate
- Remote monitoring via Dashboard™ software or OGCP-9000 control panel
- Five year warranty



9215-FTx-EM Block Diagram

RM20-9215-B

Specifications

Electrical

Power: 4 watts

SDI Input

Number of Inputs: 1
 Standard: SMPTE 292M, SMPTE 259M-C
 Impedance: 75 Ω terminating
 Return Loss: > 15 dB to 1.485 GHz to 2.97 GHz
 Connector Type: > 300 m

AES Inputs

Number of Inputs: 16-Ch unbalanced DIN 1.0/2.3
 Impedance: 75 Ω
 Input Level: 0.1 V to 2.5 V p-p (5 V p-p tolerant)
 Resolution: 24-bit

Optical Output

Number of Inputs: 1
 Standard: SMPTE 259M-C, SMPTE 292M
 Nominal Wavelength: 1310 μm
 Output Power: -7 dBm to -2 dBm
 Connector Type: Single Mode, LC/UPC

SDI Output

Number of Outputs: 1
 Standard: SMPTE 292M, SMPTE 259M-C
 Impedance: 75 Ω terminating
 Return Loss: >15 dB to 1.485 GHz to >10 dB 1.485 GHz to 2.97 GHz
 DC Offset: 0V ± 50 mV
 Rise and Fall Time(20-80%): 700 ps typical (270 Mbps) 120 ps

Ordering Information

- 9215-FTx-EM** HD/SD-SDI Fiber Audio Embedder Card
RM20-9215-B 8321 Frame Rear I/O Module (Standard Width) with 1 HD/SD-SDI Input BNC, 1 HD/SD-SDI Output BNC, 1 Optical LC Output, 8 AES Input BNCs

