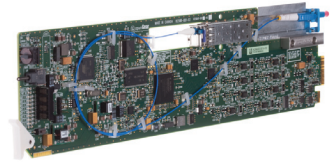


9216-FRx-DM



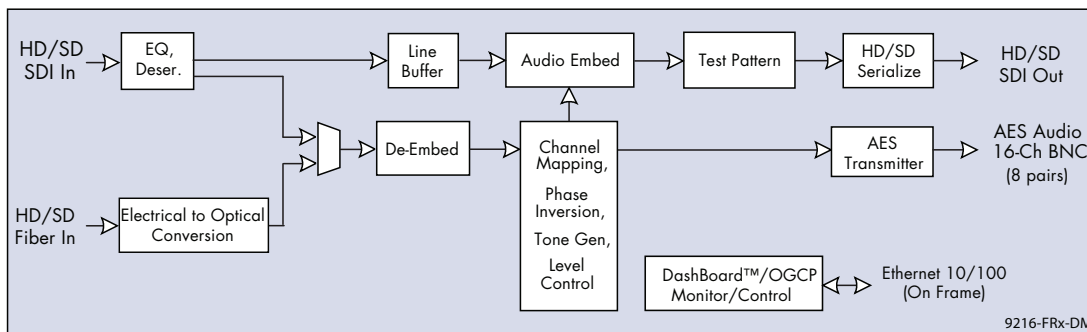
AES/EBU Fiber Audio De-Embedder



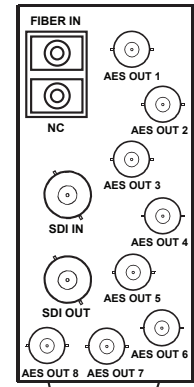
The 9216-FRx-DM accepts HD/SD-SDI or fiber inputs and provides up to eight de-embedded AES pairs on BNC connectors. The 9216-FRx-DM offers full 24-bit audio processing/routing control (card edge and remote control) for individual channel gain, delay (up to one second), phase invert, as well as channel summing. AES outputs can be set to mute when routed channels fall below a selectable threshold. User presets allow fast and easy recall of custom settings.

Features

- Conforms to SMPTE 259M and SMPTE 292M
- LC/UPC optical connection
- Audio channel mapping, level control, phase inversion, and summing
- Audio delay user-adjustable up to one second
- Automatic detection of incoming data rate
- LED indicators for signal presence and data rate
- Remote monitoring via DashBoard™ software or OGCP-9000 control panel
- Five year warranty



9216-FRx-DM Block Diagram



RM20-9216-B

Specifications

Electrical	Optical Input	SDI Output
Power: 4 watts	Number of Inputs: 1	Number of Outputs: 1
SDI Input	Standard: 143-360 Mbps - SMPTE 259M 1.485 Gbps - SMPTE 292	Standard: SMPTE 292M, SMPTE 259M-C
Number of Inputs: 1	Operating Wavelength Range: 1210 nm to 1600 nm	Impedance: 75 Ω terminating
Standard: SMPTE 292M, SMPTE 259M-C	Connector Type: Single Mode, LC/UPC	Return Loss: >15 dB to 1.485 GHz >10 dB 1.485 GHz to 2.97 GHz
Impedance: 75 Ω terminating	AES Outputs	DC Offset: 0V \pm 50 mV
Return Loss: > 15 dB to 1.485 GHz to 2.97 GHz	Number of Outputs: 16-Ch unbalanced DIN 1.0/2.3	Rise and Fall Time(20-80%): 700 ps typical (270 Mbps) 120 ps
Connector Type: > 300 m	Impedance: 75 Ω	
	Sampling Rate: 48 kHz	
	Resolution: 24-bit	

Ordering Information

9216-FRx-DM AES/EBU Fiber Audio De-Embedder Card

RM20-9216-B 8321 Frame Rear I/O Module (Standard Width) with 1 HD/SD-SDI Input BNC, 1 HD/SD-SDI Output BNC, 1 Optical LC Input, 8 AES Output BNCs

