

9229-QS



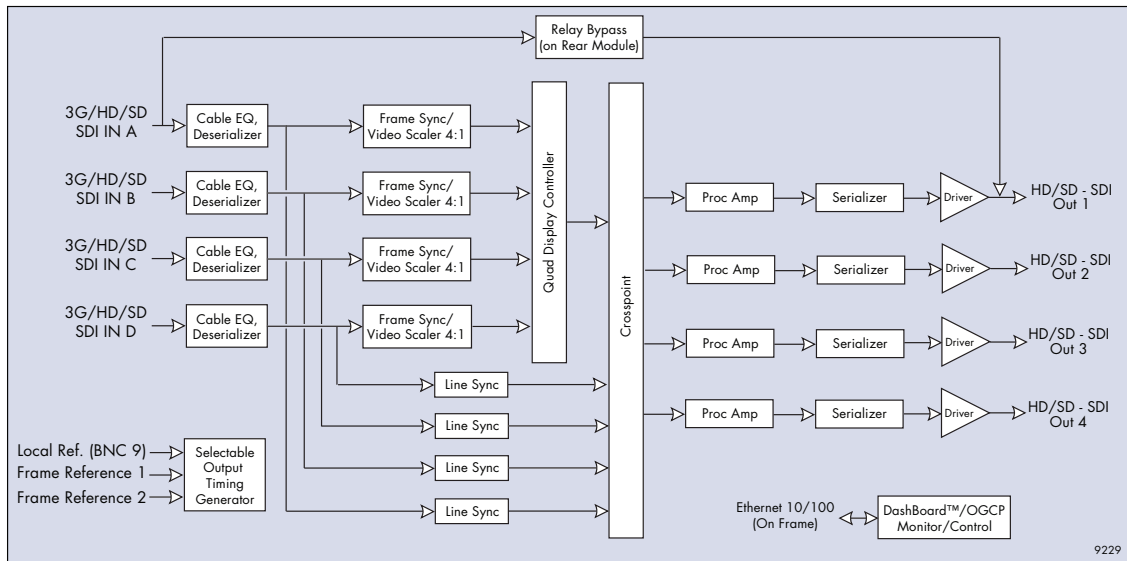
Quad-Split Video Processor



The 9229-QS integrates four discrete HD/SD-SDI inputs onto a single HD/SD-SDI quad-split output, with each input image being correspondingly assigned to a quadrant of the output image area. The card offers configurable UMD and bordering capability, as well as independent border/background color and opacity control. Rear I/O module options provide passive looping of the four input channels, allowing input channel pass-through unaffected by the card (even if the card is removed). User presets allow fast and easy recall of custom settings.

Features

- Conforms to SMPTE 259M and SMPTE 292M
- Independent border/background color proc controls for each quadrant
- Any quadrant can be selected to go to full screen
- Ethernet 10/100 Mbit connectivity for easy upgrades in the field
- Fits 8321 series openGear® frames
- Remote control/monitoring via DashBoard™ software or OGCP-9000 remote control panel
- Five year warranty



9229-QS Block Diagram

Specifications

Electrical

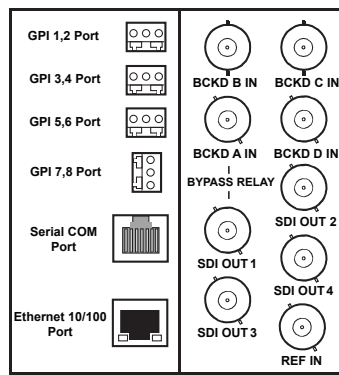
Power: 22 watts

Serial Digital Inputs

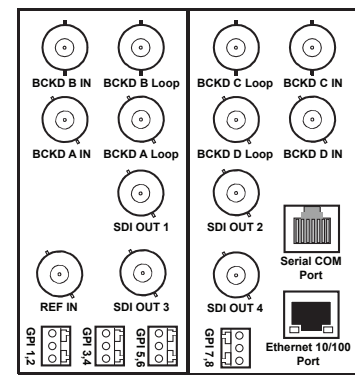
Number of Inputs: 4
Standard: SMPTE 259M, SMPTE 292M

HD/SD-SDI Output

Number of Outputs: 4 processed
Impedance: 75 Ω
Return Loss: >15 dB to 1.5 GHz



RM20-9229-B



RM20-9229-C

Ordering Information

9229-QS Quad-Split Video Processor

RM20-9229-B 8321 Frame Rear I/O Module (Double Width), 4 HD/SD-SDI Input BNCs, 4 HD/SD-SDI Output BNCs, 4 GPIO Ports, 1 Serial COM Port, 1 Ethernet Port, 1 Reference In BNC

RM20-9229-C 8321 Frame Rear I/O Module (Double Width), 4 HD/SD-SDI Input BNCs, 4 Loop Output BNCs, 4 HD/SD-SDI Output BNCs, 4 GPIO Ports, 1 Serial COM Port, 1 Ethernet Port

