

# 9231



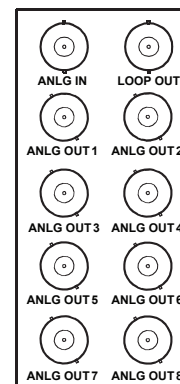
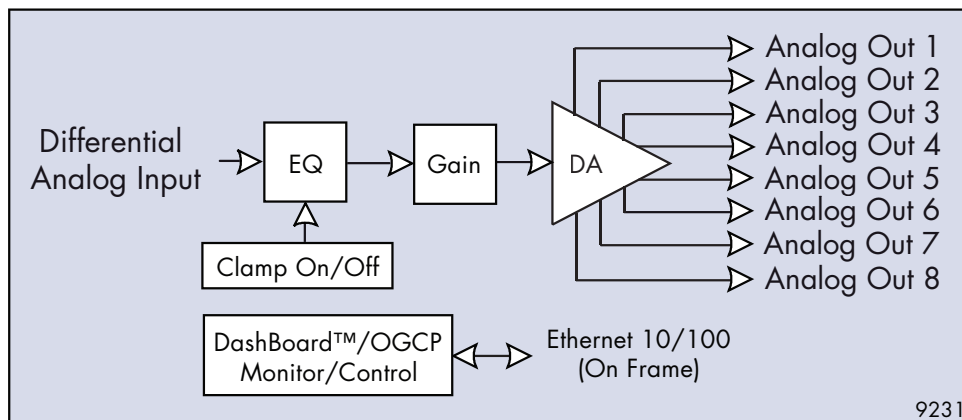
## Analog Video Distribution Amplifier with EQ

The 9231 is an analog video distribution amplifier with a differential input designed for broadcast use. The card provides 1x8 distribution with one differential analog input and eight 75-Ω BNC analog outputs. The 9231 can be accessed through DashBoard™ for status monitoring.

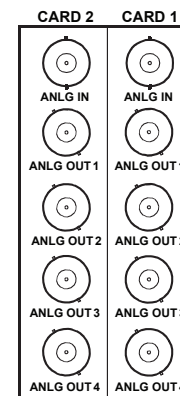


### Features

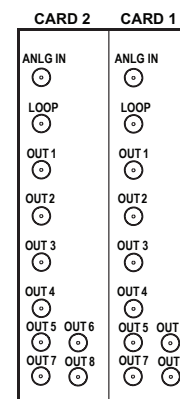
- Differential composite analog input with 75-Ω or Hi-Z looping input selection
- User adjustable gain
- Variable cable EQ up to 984 ft (300 m)
- User-selectable input clamping
- Remote monitoring via DashBoard™ software or OGCP-9000 control panel
- Five year warranty



RM20-9231-B



RM20-9231-A/S



RM20-9231-B/S

### Specifications

#### Electrical

Power: 2 watts  
 Analog Video Input  
 Number of inputs: 1  
 Impedance: 75 Ω  
 Level: 1 Vp-p, nominal  
 Return Loss: 46 dB at 3.58 MHz

#### Performance

Freq. Response: >0.05 dB at 3.58 MHz  
 Differential Gain: >0.15% at 3.58 MHz  
 Differential Phase: >0.15° at 3.58 MHz  
 S\N: >60 dB, 5 MHz BW

#### Analog Video Output

Number of Outputs: 8  
 Impedance: 75 Ω  
 Level: 1 Vp-p, nominal

### Ordering Information

- 9231** 1 X 8 Analog Video Distribution Amplifier with Differential Input, Clamping and Cable EQ
- RM20-9231-B** 8321 Frame Rear I/O Module (Standard Width) 1 Video Input BNC, 1 Looped Video Output BNC, 8 Video Output BNCs
- RM20-9231-A/S** 8321 Frame Rear I/O Module (Split) 1 Video Input BNC, 4 Video Output BNCs
- RM20-9231-B/S-HDBNC** 8321 Frame Rear I/O Module (Split) 1 Video Input HDBNC, 1 Looped Video Output HDBNC, 8 Video Outputs HDBNCs
- RM20-9231-B/S-DIN** 8321 Frame Rear I/O Module (Split) 1 Video Input (DIN 1.0/2.3), 1 Looped Video Output (DIN 1.0/2.3), 8 Video Outputs (DIN 1.0/2.3)

