

9251



AES Audio Distribution Amplifier, 75 Ohms

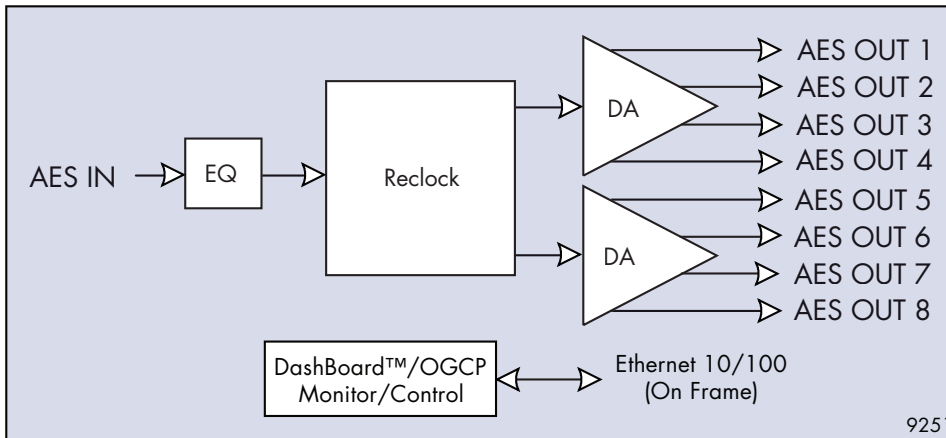


The 9251 is an AES/EBU distribution amplifier, providing eight copies of the input signal. The card supports audio sampling frequencies from 30 kHz to 192 kHz. Cable equalization and reclocking techniques enable the 9251 to reliably recover the incoming digital audio signal.

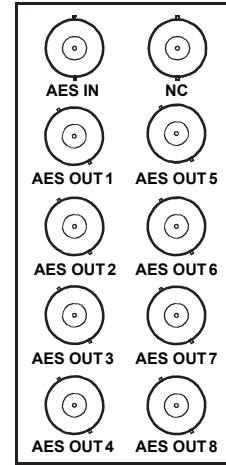
The 9251 is equipped with a 75-Ω unbalanced AES input and eight 75-Ω unbalanced AES outputs per AES. The card can be monitored for status using Dashboard™ remote control software.

Features

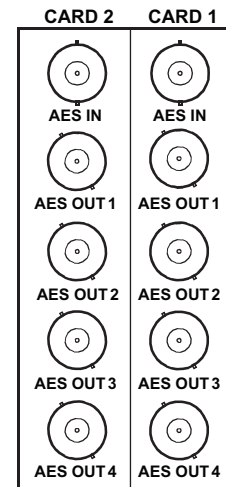
- Supports audio sampling frequencies from 30 kHz to 192 kHz
- Cable equalization and data reclocking on incoming AES/EBU signal
- Remote monitoring via Dashboard™ software
- Five year warranty



9251 Block Diagram



RM20-9251-A



RM20-9251-A/S

Specifications

Electrical

Power: 4 watts

AES Input

Number of Inputs: 1 unbalanced (2 Ch)
 Impedance: 75 Ω
 Resolution: 24-bit
 Level: 0.2 - 7 Vp-p
 Sample rate: 30 kHz to 192 kHz

AES Output

Number of Outputs: 8 unbalanced
 Impedance: 75 Ω
 Resolution: 24-bit
 Level: 1 Vp-p
 Sample Rate: 30 kHz to 192 kHz
 Jitter: <5 ns

Ordering Information

- 9251** 1 X 8 AES/EBU Reclocking Distribution Amplifier, 75 Ohm, Unbalanced, BNC I/O
- RM20-9251-A** 8321 Frame Rear I/O Module (Standard Width) 1 AES Input BNC, 8 AES Output BNCs
- RM20-9251-A/S** 8321 Frame Rear I/O Module (Split) 1 AES Input BNC, 4 AES Output BNCs

