

9275

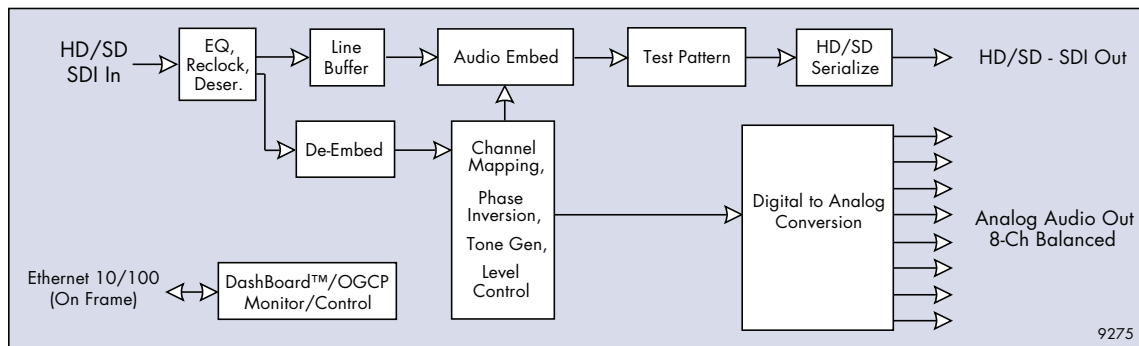


HD-SD-SDI Analog Audio De-Embedder

The 9275-8C accepts an HD/SD-SDI input and provides up to eight de-embedded balanced analog output channels. The 9275-4C provides up to four de-embedded balanced analog output channels. The cards offer full 24-bit audio D-to-A, processing/routing control (card edge and remote control) for individual channel gain with ganging, delay (up to 1 second), phase invert, as well as channel summing. User presets allow fast and easy recall of custom settings.

Features

- Conforms to SMPTE 259M and SMPTE 292M
- Automatic detection of incoming data rate
- LED indicators for signal presence and data rate
- Audio channel mapping, phase inversion and level control
- Programmable video output on SDI input loss
- Silence output on loss of audio input
- Programmable silence detection and timeout thresholds
- Remote control/monitoring via DashBoard™ software or OGCP-9000 remote control panel
- Five year warranty



Specifications

Electrical

Power (4-Ch): 8 watts
 Power (8-Ch): 9 watts

HD/SD-SDI Input

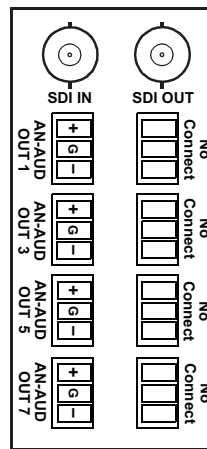
Number of Inputs: 1
 Standard: SMPTE 292 and 259M-C
 Return Loss: >15 dB at 1.5 GHz

HD/SD-SDI Output

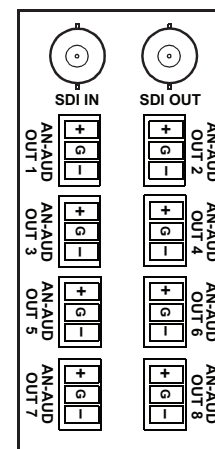
Number of Outputs: 1 processed

Analog Audio Outputs

9275-4C: 4-Ch balanced outputs
 9275-8C: 8-Ch balanced outputs
 Maximum Output Level: +27 dBu
 Frequency Response: ±0.07 dB
 (22 Hz to 20 kHz @ Fs=48 kHz)
 Signal to Noise Ratio: -90 dB
 THD: > -76 dB
 Crosstalk: <-80 dB (20 Hz to 20 kHz)



RM20-9275-4C-B



RM20-9275-8C-B

Ordering Information

- 9275-4C** HD/SD-SDI 4 Channel Audio De-Embedder with Analog Audio
9275-8C HD/SD-SDI 8 Channel Audio De-Embedder with Analog Audio
RM20-9275-4C-B 20-Slot Frame Rear I/O Module (Standard Width) 1 HD/SD-SDI Input BNC, 1 Loop Output BNC, 4 Analog Audio Outputs
RM20-9275-8C-B 20-Slot Frame Rear I/O Module (Standard Width) 1 HD/SD-SDI Input BNC, 1 Loop Output BNC, 8 Analog Audio Outputs

