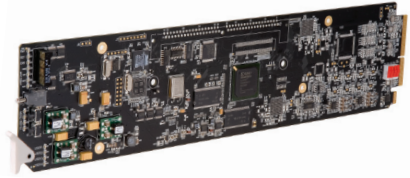


9341



8-channel Analog Audio to AES Converter

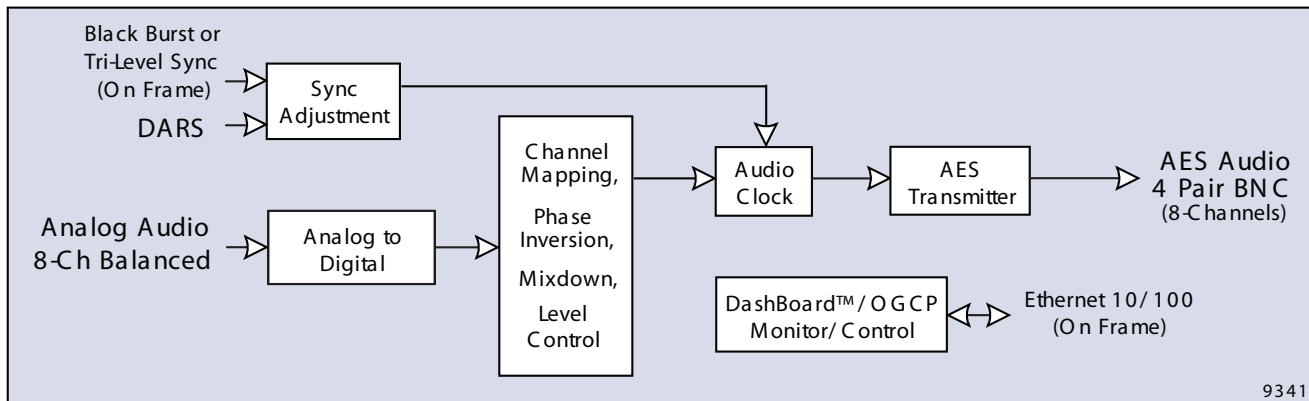


The 9341 is an analog audio to AES converter, supporting up to eight balanced analog inputs into eight AES output channels. The 24-bit audio conversion supports audio input levels up to +24 dBu. The AES output pairs can be locally timed, or timed to a frame reference or a DARS input.

The 9341 features full user remote and card-edge control of audio level/polarity and channel routing – all with user memory. Factory presets enable a return to factory settings.

Features

- Eight analog audio input channels
- Balanced inputs to +24 dBu
- 24-bit audio conversion
- Remote and local audio level and mixing
- Remote/local control of mapping and inversion
- Four internal tone generators
- Remote control/monitoring via DashBoard™ software or OGCP-9000 remote control panel
- Five year warranty



Specifications

Electrical

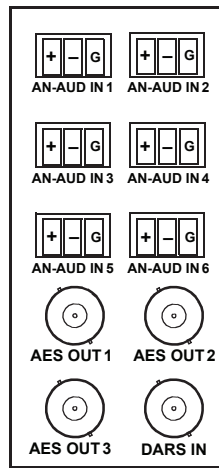
Power: 11 watts

Analog Audio Input

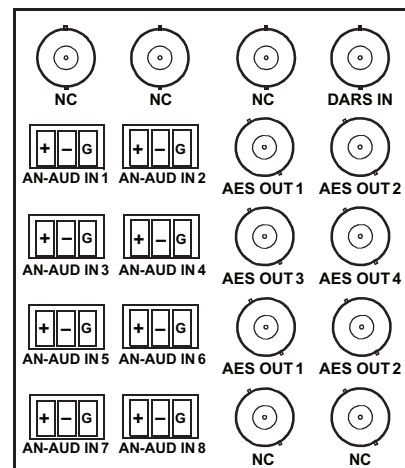
Number of Inputs: 8-Ch balanced
 Connector: Removable 3-pin Phoenix
 Signal Level: up to +24 dBu
 Sample Rate: 48 kHz

AES Output

Number of Outputs: 4 unbalanced BNCs (8 PCM channels)
 Impedance: 75 Ω
 Sample Rate: 48 kHz
 Resolution: 24-bit



RM20-9341-B



RM20-9341-C

Ordering Information

- 9341** 8 Channel Analog to AES/EBU Digital Audio Converter
- RM20-9341-B** 8321 Frame Rear I/O Module (Standard Width) 6 Analog Audio Inputs, 3 AES Output BNCs, DARS Input BNC
- RM20-9341-C** 8321 Frame Rear I/O Module (Double Width) 8 Analog Audio Inputs, 6 AES Output BNCs, DARS Input BNC

