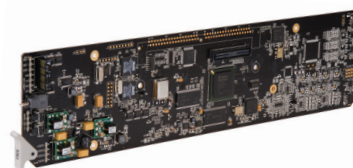


# 9361



openGear



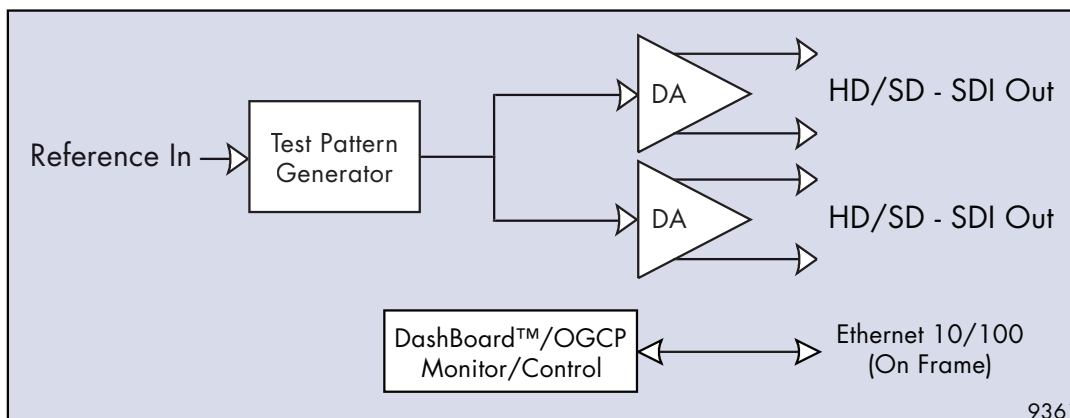
## HD/SD-SDI Test Signal Generator with Text Overwrite

The 9361 is an HD/SD-SDI multi-format test signal generator, providing a cost-effective method of generating 1.485 Gbps test signals. The 9361 delivers a user-selectable test pattern in several HD and SD-SDI formats.

The 9361 can overlay up to 20 characters of text onto the test pattern for channel ID. The SDI outputs can either be locked to a reference signal connected to the openGear™ frame, or run off an internal clock.

### Features

- 75% Color Bars Test Pattern
- Up to 20 character text overlay
- Locks to external reference (bi-level, black burst, or tri-level)
- Controllable timing offset from reference
- Four tone generators with adjustable frequency and amplitude, available to all 16 embedded audio channels
- Remote control/monitoring via Dashboard™ software or OGCP-9000 remote control panel
- Five year warranty



9361 Block Diagram

### Specifications

**Electrical**

Power: 8 watts

**Reference Video Input**

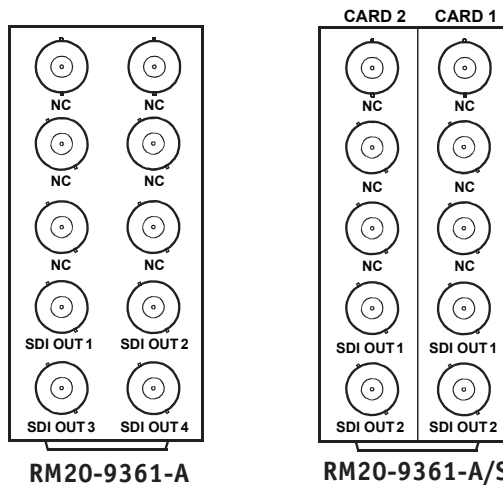
Number of Inputs: 2 looping (openGear™ frame)  
Standard: Tri-level sync (SMPTE 274) and black burst (NTSC and PAL)

**Test Patterns**

HD/SD: Black flat frame  
75% color bars  
Sweep pattern

**HD/SD-SDI Output**

Number of Outputs: 4 reclocked, 4 processed  
Standard: SMPTE 292 and 259M  
Signal Level: 800 mV nominal  
Return Loss: >15 dB at 5 MHz - 270 MHz  
>12 dB at 270 MHz - 1.485 GHz  
Jitter: HD: < 0.15 UI  
SD: < 0.10 UI



### Ordering Information

- 9361** HD/SD-SDI Test Signal Generator with Text Overwrite
- RM20-9361-A** 8321 Frame Rear I/O Module (Standard Width) 4 HD/SD-SDI Test Pattern Output BNCs
- RM20-9361-A/S** 8321 Frame Rear I/O Module (Split) 2 HD/SD-SDI Test Pattern Output BNCs (Not available for 8310 openGear™ Frame)

Rear modules also available for 8310 10-slot openGear™ frame (RM-XXXX-X), except where noted.