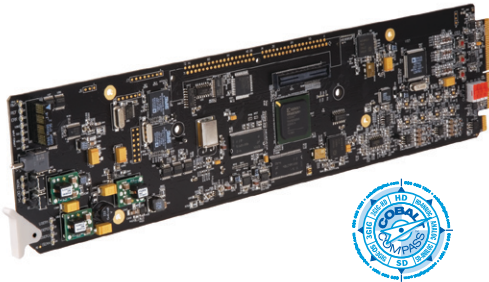


9381

HD/SD-SDI Timecode Inserter

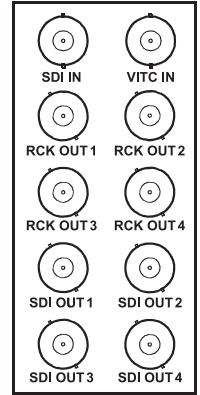
OPTIONS
LTC In/Out (+LTC)



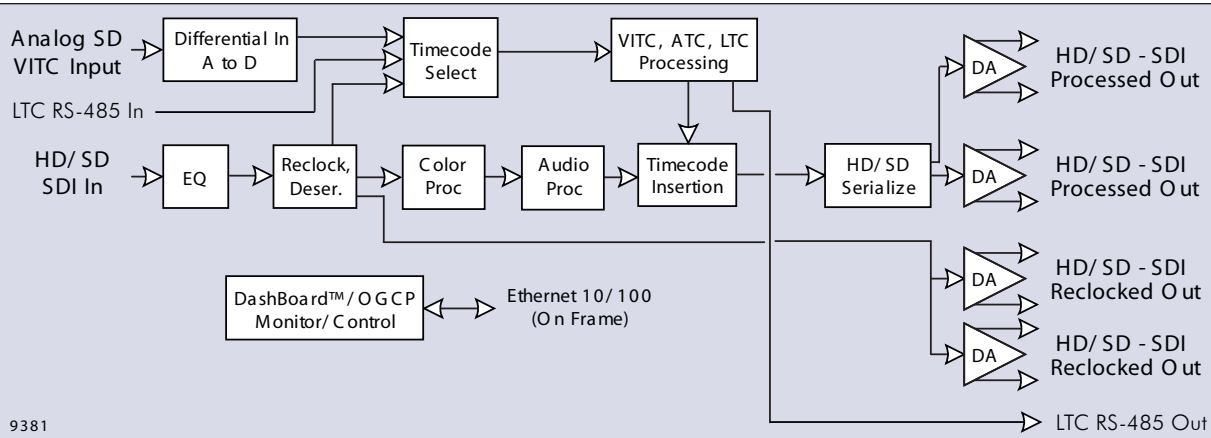
The 9381 provides centralized timecode support, allowing conversion and insertion of VITC waveform, ATC_VITC, and ATC_LTC timecode on the SDI output. Timecode can be extracted from the SDI input, analog video input, or embedded audio LTC sources and applied to the SDI output as waveform or ATC-based timecode as applicable. The card also provides embedded audio routing and controls, and full video proc control with user memory.

FEATURES

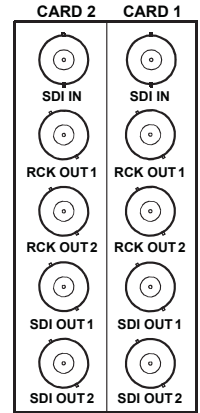
HD/SD-SDI inputs	VITC waveform-to-HD SDI ATC. Bi-directional conversion between ANC timecode formats and audio/RS-485 LTC.	16 user presets	Five year warranty
Video proc controls		Remote control/monitoring via DashBoard™ software or OGCP-9000 control panel	
AFD code insertion			



RM20-9381-A



9381



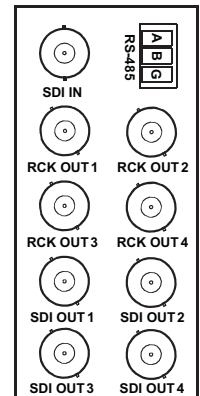
RM20-9381-A/S

SPECIFICATIONS

Electrical Power: 11 watts	HD/SD-SDI Output Number of Outputs: 4 processed, 4 reclocked Standard: SMPTE 292 and 259M Signal Level: 800 mV nominal Return Loss: >15 dB at 5 MHz - 270 MHz >12 dB at 270 MHz - 1.485 GHz Jitter: HD: < 0.15 UI SD: < 0.10 UI Embedded Audio: 16-Ch SD/HD
Analog Video Input SD Standard: Composite Impedance: 75 Ω	
Processing Delay Total Delay: 3.2 μ	
Timecode Processing Formats Inserted: Analog VITC, SDI VITC, SDI ATC LTC, SDI ATC VITC	

ORDERING INFORMATION

9381 HD/SD-SDI Metadata/Timecode Inserter	RM20-9381-A/S 20-Slot Frame Rear I/O Module (Split) Dual HD/SD-SDI Input, 2 HD/SD-SDI Reclocked Outputs per card, 2 HD/SD-SDI Processed Outputs per card	RM20-9381-B 20-Slot Frame Rear I/O Module (Standard Width) HD/SD-SDI Input, 4 HD/SD-SDI Reclocked Outputs, 4 HD/SD-SDI Processed Outputs, RS-485 LTC I/O Port
--	---	--



RM20-9381-B

