

Audio Mixing

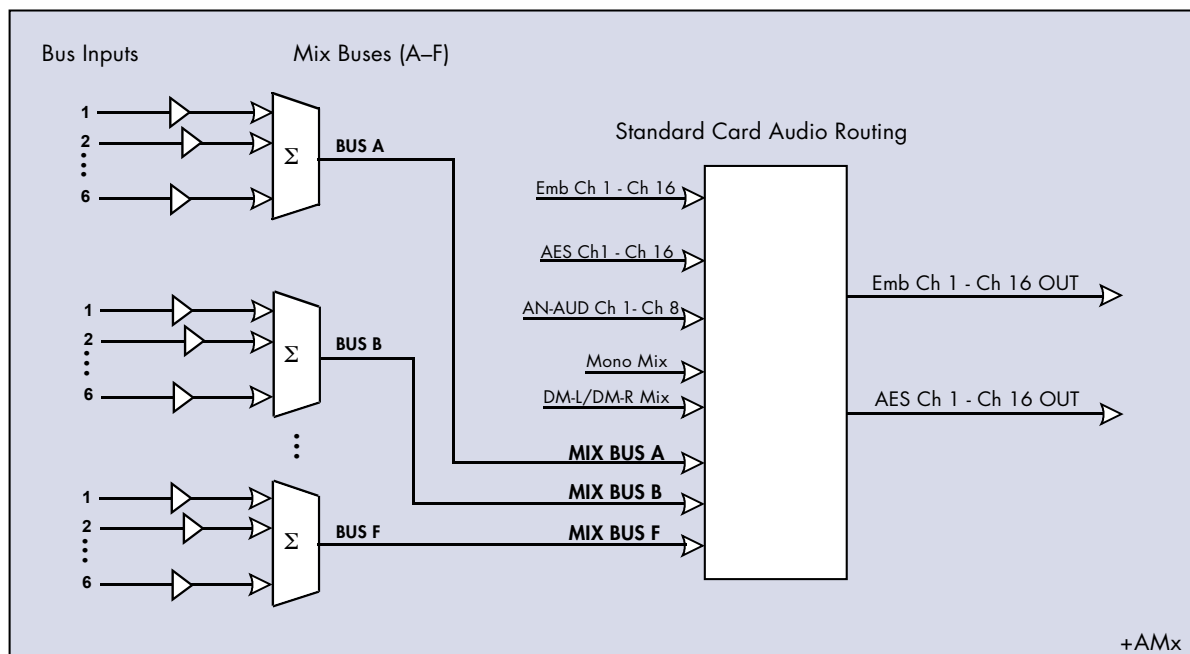
Software Option

The Audio Mixing Software Option provides six, 6-input mono mixers which can be routed on the card just as any other audio source. Each mixer input channel can be sourced from any of the audio types handled by a particular card (e.g., AES, embedded, analog, or Dolby® decoded channels where available) and mixed into six groups that in turn can be directed to any AES or embedded output channel.

The Audio Mixing option operates on select 9000 series cards, and is a standard feature on Fusion3G® 9900 series cards. The software can be ordered with card purchase, or activated later using a downloadable feature key via free DashBoard™ remote control/monitoring software (no need to remove or replace card.)

Features

- Handles any combination of signals accommodated by the card
- Independent DashBoard™ gain, phase and muting controls for each channel
- Five year warranty



+AMx Block Diagram

Ordering Information

+AMx

Optional Audio Mixing (Standard on Fusion3G® 9900 Series cards. Available on select COMPASS® 9000 Series cards. Check specific catalog pages for option availability.)