

BBG-1078-ANC-MON • 3G/HD/SD-SDI Modular Data Monitoring Probe with Multiple-Protocol Data Payload SDI/HDMI Display and Fault Detection/Forwarding



The all-new Cobalt® BBG-1078-ANC-MON 3G/HD/SD-SDI Modular Ancillary Data Monitoring Probe with Multiple-Protocol Data Payload SDI/HDMI Display and Fault Detection/Forwarding provides an easy to use, economical solution that offers comprehensive ancillary data monitoring/"probing" to validate and ensure expected presence and handling of ancillary data in SDI streams.

Unlike expensive and hard to use waveform monitors, the BBG-1078-ANC-MON shows status in "plain language" on-screen overlays. Unlike typical test equipment, its user interface is designed from the ground up to be used by everyday operations personnel and not just engineers. The status burn-in is available on the card SDI output as well as a convenience HDMI output that can be directly connected to a wall monitor.

In addition to its user interface, the BBG-1078-ANC-MON can integrate with automation systems via its serial, GPIO, IP and SNMP interfaces. The BBG-1078-ANC-MON is an unprecedented first in a compact standalone form factor that fits in your existing environment without the need for expensive, delicate, bulky test gear. Depending on the ANC data you want

to monitor, the BBG-1078-ANC-MON is available with options to support many data packages such as SCTE 104, 608-XDS, AFD and others, providing not just presence/absence status but also interpreters that parse the payload and display it as a burn-in. Options also include a continuously running display of ATSC A/85 LKFS loudness.

A built-in web server that allows control/monitor over computers or smart devices from anywhere accessible over the web; no special apps or plug-ins are required for remote control (can also be remote-controlled using DashBoard™). The compact 1/3-rack size of the BBG-1078-ANC-MON allows 3 units to be installed in a 1RU space (an optional mounting tray is available that provides secure mounting of the units to a standard 19" frame). GPIO allows direct input routing control and status monitoring.

Intuitive layout clearly and simultaneously showing multiple aspects of the input signal and its ancillary data are displayed in real time along with programming.

Conditions for any number of criteria are immediately apparent via color coding to indicate normal operation, errors, ancillary data absence or other errors. No difficult nested menus or difficult to interpret messages.

FEATURES

Easy to use, economical solution for comprehensive ancillary data monitoring/"probing"

"Plain language" easy to understand status burn-in overlay displayed along with program video makes status monitoring easy. HDMI output allows use with standard consumer monitor panels.

Quality Check provides immediate alert status for quality issues such as black/frozen frame or audio silence. Threshold and hold-off are user configurable.

On-screen presence/absence of selected DID/SDIDs

Fully flexible and configurable with user presets to simplify setup

Flexible options allow extra monitoring capabilities such as SCTE 104, AFD, and 608-XDS monitoring and payload interpret.

Full status forwarding to automated systems using serial, GPIO, IP, and SNMP interfaces

Low-power/high-density design – less than 18 Watts

Compact footprint – up to 3 units in a 1RU space. Optional tray provides secure captive-fastener mounting of 3 units in a 1RU tray.

Web-based user interface/remote control as well as front-panel pushbutton menu-based local control with LCD status/net ID. Five year warranty

OPTIONS

Closed-Captioning Metadata Interpreter (+CCINT) – Extracts and interprets CC payload for burn-in and as data export via serial and/or IP

SCTE 104 Metadata Interpreter (+SCTE104INT) – Extracts and interprets SCTE 104 payload for burn-in and as data export via serial and/or IP

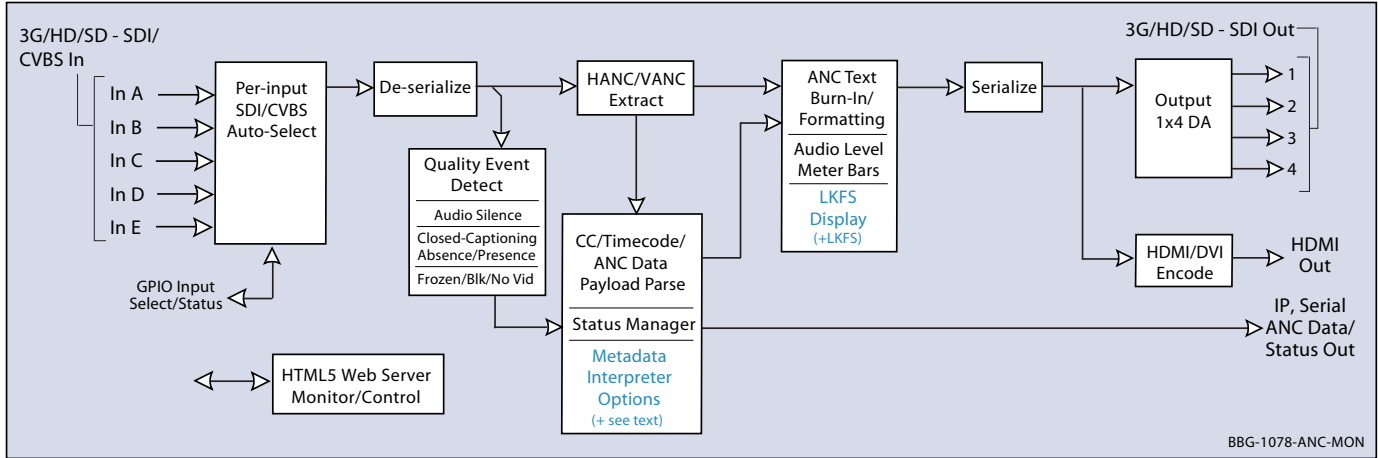
AFD Metadata Interpreter (+AFDINT) – Extracts and interprets AFD payload for burn-in and as data export via serial and/or IP

CEA608 Extended Services Presence Indication (+608XDS) – Displays as burn-in presence/active status for services 1-4. Also allows this status to be exported via serial and/or IP.

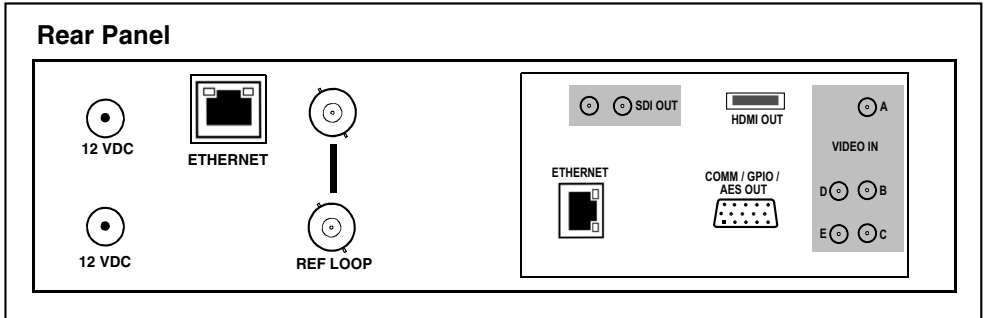
Camera Metadata Interpreter (+CAM-META) – Extracts and interprets camera control metadata payload for burn-in and as data export via serial and/or IP

LKFS Measurement Option (+LKFS) – Provides running LKFS display of all selected channels routed to the LKFS measurement block

BBG-1078-ANC-MON • 3G/HD/SD-SDI Modular Data Monitoring Probe with Multiple-Protocol Data Payload SDI/HDMI Display and Fault Detection/Forwarding



Rear I/O complement and details shown are preliminary and subject to change. Please check the product web page for updates and availability of new models.



SPECIFICATIONS

Power
 < 18 Watts. Power supplied by 12VDC AC adapter, universal input (included).

Video Input/Outputs
 Video Inputs: (5) 75Ω BNC; auto-detect/setup for 3G/HD/SD-SDI or CVBS |
 SDI Outputs: (4) 75Ω BNC
 HDMI Output: (1) HDMI output with audio embedding
 SDI Formats Supported: SMPTE 259M, SMPTE 292M, SMPTE 424M
 SDI Receive Cable Length: 3G/HD/SD: 120/180/320 m (Belden 1694A)
 SDI Return Loss: >15 dB up to 1.485 GHz; >10 dB up to 2.970 GHz

GPIO/COMM
 (2) GPI configurable to select input routing. (2) GPO configurable to invoke upon input selected. RS-232/485 comm port. All connections via rear module RJ-45 GPIO/COMM jack.

Control/Monitor Interface
 HTML5 web server/interface via rear-panel 10/100/1000 Ethernet port.

Frame Reference Input
 Looping 2-BNC connection. SMPTE 170M/318M "Black Burst", SMPTE 274M/296M "Tri-Level"
 Return Loss: >35 dB up to 5.75 MHz

Physical
 Dimensions (WxHxD): 5.7 x 1.4 x 14.7 in (14.5 x 3.5 x 37.3 cm) Dimensions include connector projections.
 Weight: 6 lb (2.8 kg)

ORDERING INFORMATION

BBG-1078-ANC-MON-C-DIN 3G/HD/SD-SDI Modular Ancillary Data Monitoring Probe with Multiple-Protocol Data Payload SDI/HDMI Display and Fault Detection/Forwarding. (5) 3G/HD-SD-SDI/CVBS Inputs, (2) 3G/HD/SD-SDI DA Outputs, COMM/GPIO/AES Out (Combined HD-15 connector), HDMI Output, Ethernet Port (all coaxial connectors DIN 1.0/2.3)

BBG-1078-ANC-MON-C-HDBNC 3G/HD/SD-SDI Modular Ancillary Data Monitoring Probe with Multiple-Protocol Data Payload SDI/HDMI Display and Fault Detection/Forwarding. (5) 3G/HD-SD-SDI/CVBS Inputs, (2) 3G/HD/SD-SDI DA Outputs, COMM/GPIO/AES Out (Combined HD-15 connector), HDMI Output, Ethernet Port (all coaxial connectors HD-BNC)

BBG-1000-PS Redundant Power Supply Module

BBG-1000-TRAY 1RU Mounting Tray (supports 3 units)

- +AFDINT AFD Metadata Interpreter Option
- +CAM-META Camera Metadata Interpreter Option
- +CCINT Closed-Captioning Metadata Interpreter Option
- +LKFS LKFS Measurement Option
- +SCTE104INT SCTE 104 Metadata Interpreter Option
- +608XDS CEA608 Extended Services Presence Indication Option