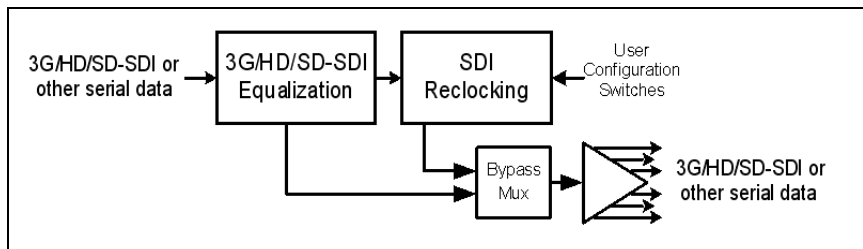


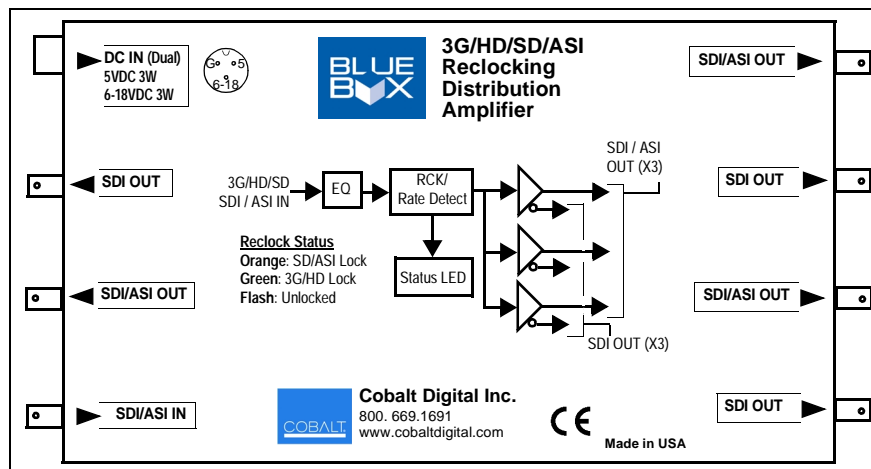


3G/HD/SD/ASI Reclocking Distribution Amplifier With Bit-Rate Status BBG-DA-3G-1x6

The BlueBox™ DA-3G-1x6 Reclocking Distribution Amplifier (hereinafter “BlueBox™ DA-3G-1x6”) provides a small “throwdown” package that offers a 1X6 DA with automatic detect and reclock at 2.970, 1.485, and 0.270 Gb/s. The outputs can be set to mute if no recognized input is detected. The DA-3G-1x6 can be powered from 5-18 VDC using an AC adapter (supplied).



The DA-3G-1x6 can be operated in automatic standard detect mode or in a manual standard mode. Reclocking can be bypassed if desired. Non-inverting ASI reclock is available on 3 of the 6 output ports.



LED Indicator

The front panel LED indicates video lock. When a 3G or HD rate signal is locked it will light green, when an SD rate signal is locked it will light orange. If no signal is locked (or a non-SDI signal) it will flash continuously.

Connecting BlueBox™ DA-3G-1x6

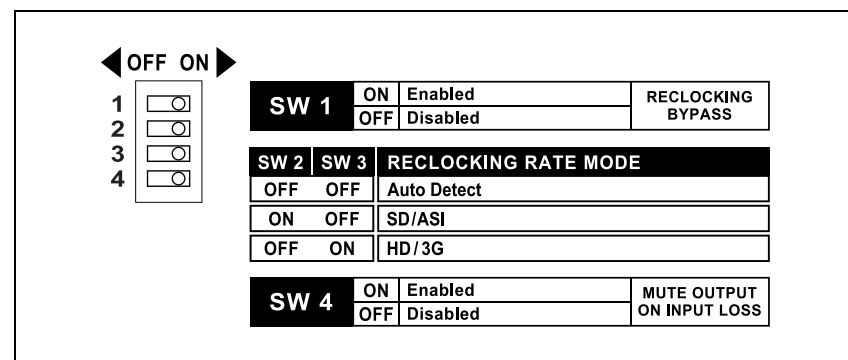
1 Connect BlueBox™ DA-3G-1x6 DC power using the supplied AC adapter.

Note: The DC power connector accepts 5 VDC adapters connected to the **G** and **5** terminals of the connector and/or 6-18 VDC adapters connected to the **G** and **6-18** terminals. If desired, two adapters of the corresponding output voltage ranges can be wired to a mating plug (not supplied) to allow redundant power.

2. Connect SDI or ASI input. Note the specific output ports that can be used for SDI and/or ASI (as shown on the previous page). This provides the basic connections. Other connections do not require termination if unused.

Switch Settings

The 4-position switch allows bypassing of the BlueBox™ DA-3G-1x6 reclocker, or forces a reclocking rate as shown below.



Specifications

Item	Description/Specification
SDI Input:	SMPTE 424M, 292, 259M
Input Return Loss:	> 10 dB at 3 GHz > 12 dB at 1.5 GHz
Valid Reclockable Rates:	Reclocking is auto-enabled (if selected as Auto) or manually enabled for the following serial rates: 270 Mb/s, 1483 Mb/s, 1485 Mb/s, 2970 Mb/s. The device does not lock to harmonics of these rates. The following modes automatically bypass reclocking: 143 Mb/s, 177 Mb/s, 360 Mb/s, 540 Mb/s. This device can pass MADI audio, but reclocking is bypassed for this use. Usage with AES audio is not compatible.
Environmental:	40-100°F (4-38°C); non-condensing humidity
Power Input:	+5 - 18 VDC, < 2 W
Dimensions (WxHxD):	6" x 3" x 1" (including connector projections) (152 x 77 x 26 mm)

Warranty and Service Information

Cobalt Digital Inc. Limited Warranty

This product is warranted to be free from defects in material and workmanship for a period of five (5) years from the date of shipment to the original purchaser, except that 4000, 5000, 6000, 8000, and Blue Box series power supplies, and Dolby® modules (where applicable) are warranted to be free from defects in material and workmanship for a period of one (1) year.

Cobalt Digital Inc.'s ("Cobalt") sole obligation under this warranty shall be limited to, at its option, (i) the repair or (ii) replacement of the product, and the determination of whether a defect is covered under this limited warranty shall be made at the sole discretion of Cobalt.

This limited warranty applies only to the original end-purchaser of the product, and is not assignable or transferable therefrom. This warranty is limited to defects in material and workmanship, and shall not apply to acts of God, accidents, or negligence on behalf of the purchaser, and shall be voided upon the misuse, abuse, alteration, or modification of the product. Only Cobalt authorized factory representatives are authorized to make repairs to the product, and any unauthorized attempt to repair this product shall immediately void the warranty. Please contact Cobalt Technical Support for more information.

To facilitate the resolution of warranty related issues, Cobalt recommends registering the product by completing and returning a product registration form. In the event of a warrantable defect, the purchaser shall notify Cobalt with a description of the problem, and Cobalt shall provide the purchaser with a Return Material Authorization ("RMA"). For return, defective products should be double boxed, and sufficiently protected, in the original packaging, or equivalent, and shipped to the Cobalt Factory Service Center, postage prepaid and insured for the purchase price. The purchaser should include the RMA number, description of the problem encountered, date purchased, name of dealer purchased from, and serial number with the shipment.

Cobalt Digital Inc. Factory Service Center
2506 Galen Drive Office: (217) 344-1243
Champaign, IL 61821 USA Fax: (217) 344-1245
www.cobaltdigital.com Email: info@cobaltdigital.com

THIS LIMITED WARRANTY IS EXPRESSLY IN LIEU OF ALL OTHER WARRANTIES EXPRESSED OR IMPLIED, INCLUDING THE WARRANTIES OF MERCHANTABILITY AND FITNESS FOR A PARTICULAR PURPOSE AND OF ALL OTHER OBLIGATIONS OR LIABILITIES ON COBALT'S PART. ANY SOFTWARE PROVIDED WITH, OR FOR USE WITH, THE PRODUCT IS PROVIDED "AS IS." THE BUYER OF THE PRODUCT ACKNOWLEDGES THAT NO OTHER REPRESENTATIONS WERE MADE OR RELIED UPON WITH RESPECT TO THE QUALITY AND FUNCTION OF THE GOODS HEREIN SOLD. COBALT PRODUCTS ARE NOT AUTHORIZED FOR USE IN LIFE SUPPORT APPLICATIONS.

COBALT'S LIABILITY, WHETHER IN CONTRACT, TORT, WARRANTY, OR OTHERWISE, IS LIMITED TO THE REPAIR OR REPLACEMENT, AT ITS OPTION, OF ANY DEFECTIVE PRODUCT, AND SHALL IN NO EVENT INCLUDE SPECIAL, INDIRECT, INCIDENTAL, OR CONSEQUENTIAL DAMAGES (INCLUDING LOST PROFITS), EVEN IF IT HAS BEEN ADVISED OF THE POSSIBILITY OF SUCH DAMAGES.

©Copyright 2016, Cobalt Digital Inc. All Rights Reserved.

Duplication or distribution of this manual and any information contained within is strictly prohibited without the express written permission of Cobalt Digital Inc. This manual and any information contained within, may not be reproduced, distributed, or transmitted in any form, or by any means, for any purpose, without the express written permission of Cobalt Digital Inc. Reproduction or reverse engineering of software used in this device is prohibited.

The information in this document has been carefully examined and is believed to be entirely reliable. However, no responsibility is assumed for inaccuracies. Furthermore, Cobalt Digital Inc. reserves the right to make changes to any products herein to improve readability, function, or design. Cobalt Digital Inc. does not assume any liability arising out of the application or use of any product or circuit described herein.

Cobalt® is a registered trademark of Cobalt Digital Inc. BlueBox™ is a trademark of Cobalt Digital Inc.



Cobalt Digital Inc.

2506 Galen Drive
Champaign, IL 61821
Voice 217.344.1243 • Fax 217.344.1245
www.cobaltdigital.com