

## 2110-DC-01 • SMPTE ST-2110 Integrated Support Daughtercard Option for 9904-UDX-4K and 9905-MPx cards

The Indigo 2110-DC-01 is a factory add-on option to Cobalt 9904-UDX-4K and 9905-MPx models. This option adds native SMPTE ST-2110 support for this card, with multiple 25G Ethernet interfaces.



The Indigo 2110-DC-01 circumvents the cumbersome, error-prone, and expensive prior solutions of multiple devices in the data path. Adding native ST-2110 interfaces to the audio/video processing elements, Cobalt is providing a cost-effective, easily manageable, integrated solution to this problem. Multiple boxes or processing elements are no longer needed in the data path, going back and forth between IP and SDI. By natively doing all the processing directly over IP, unnecessary complexity and cost is avoided.

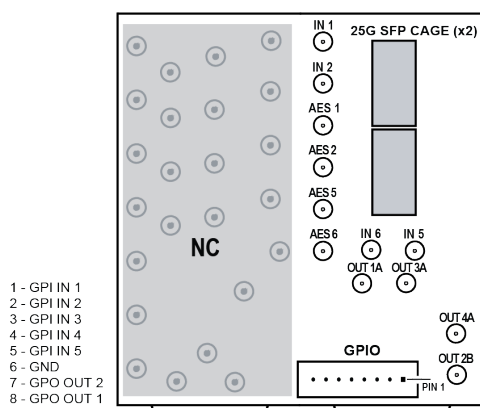
With this option, all the advanced processing in these cards is now available with IP inputs and outputs, without the need for an external gateway. Indigo 2110-DC-01 includes support for ST-2022-7 seamless redundancy switching, as well as IS-04/IS-05 NMOS for automatic discovery and configuration. Mated with the host card, this creates a powerful and processing-dense product that is capable of natively processing HD, 3G and 4K IP streams with no quality compromises. No other solution currently in the market can achieve the density provided by the combination of functionality offered by Indigo 2110-DC-01 and the 9904-UDX-4K/9905-MPx.

### Features

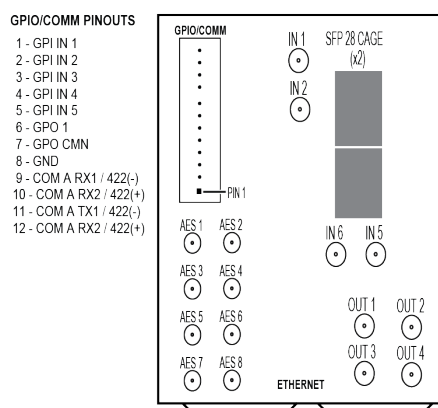
Highly integrated ST-2110 companion for the Cobalt 9904-UDX-4K or 9905-MPx audio/video processors	Built-in NMOS support offers straightforward interface to an existing network, with auto-discovery by the network management
Offers multiple 25G Ethernet interfaces to support 4K signals without the need for any type of compression and to support ST-2022-7 seamless redundancy switching for improved network reliability	High-density, compact openGear card-based solution, with multiple devices able to be combined into a single frame for multi-channel operation, as well as offering the standard features of redundant hot-swappable power supplies and hot-swappable cards
Five year warranty	

### Ordering Information

**Indigo 2110-DC-01** SMPTE ST-2110 Integrated Support Daughtercard Option for 9904-UDX-4K and 9905-MPx cards (Note: Indigo 2110-DC-01 option is not compatible with the 9904-UDX-4K-DSP model.)



**RM20-9904-L-HDBNC / RM20-9905-L-HDBNC** 20-Slot Frame Rear I/O Module (Double-Width) (4) 12G/6G/3G/HD/SD/SD-SDI Inputs, (4) 12G/6G/3G/HD/SD/SD-SDI Processed Outputs, (8) AES I/O, (2) 25G SFPs/Receptacles, (All coaxial connectors HD-BNC.) Available for: Indigo 2110-DC-01. Supported on oGx openGear frames (not supported on HPF-9000 frames).



**RM20-9904-M-HDBNC / RM20-9905-M-HDBNC** 20-Slot Frame Rear I/O Module (Double-Width) (4) 12G/6G/3G/HD/SD/SD-SDI Inputs, (4) 12G/6G/3G/HD/SD/SD-SDI Processed Outputs, (8) AES I/O, (2) 25G SFPs/Receptacles, GPI/COMM(All coaxial connectors HD-BNC.) Available for: Indigo 2110-DC-01. Supported on oGx openGear frames and HPF-9000 frames.