

9001 • 3G/HD/SD 1x9 Reclocking Distribution Amplifier



The Cobalt® 9001 3G/HD/SD 1x9 Reclocking Distribution Amplifier is a multi-rate 1x9 SDI and ASI distribution amplifier capable of equalizing and reclocking 3G, HD, and SD signals. All outputs are non-inverting, allowing for reclocking of ASI signals. Excellent receiver EQ performance allows up to 150m cable lengths for HD signals.

FEATURES

Equalize up to 150m of Belden 1694A cable at 1.485 Gbit

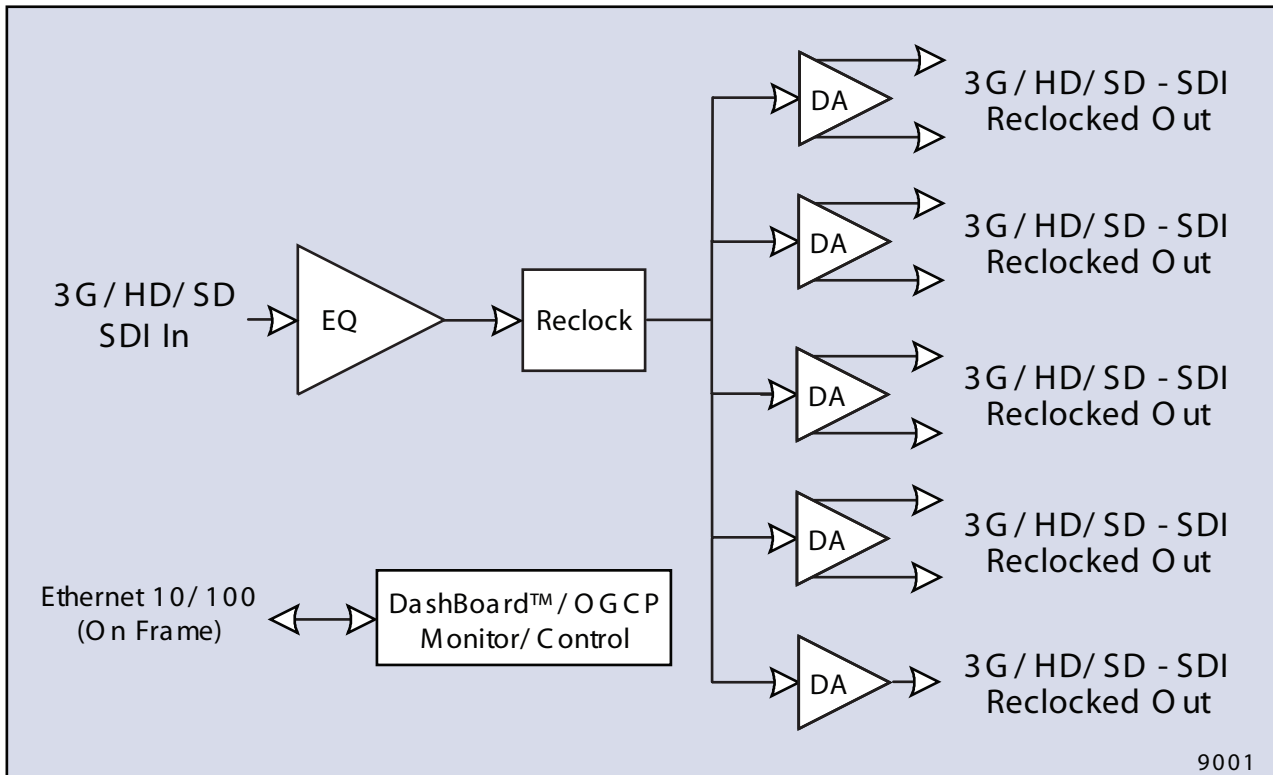
Automatic rate detection for all industry-standard data rates

ASI reclocking on all outputs

Available high-density rear modules allow up to 20 cards per frame

Remote control/monitoring via Dashboard™ software or OGCP-9000 remote control panels

Five year warranty



9001



# 9001 • 3G/HD/SD 1x9 Reclocking Distribution Amplifier

## SPECIFICATIONS

### Power

2 Watts

### 3G/HD/SD-SDI Inputs

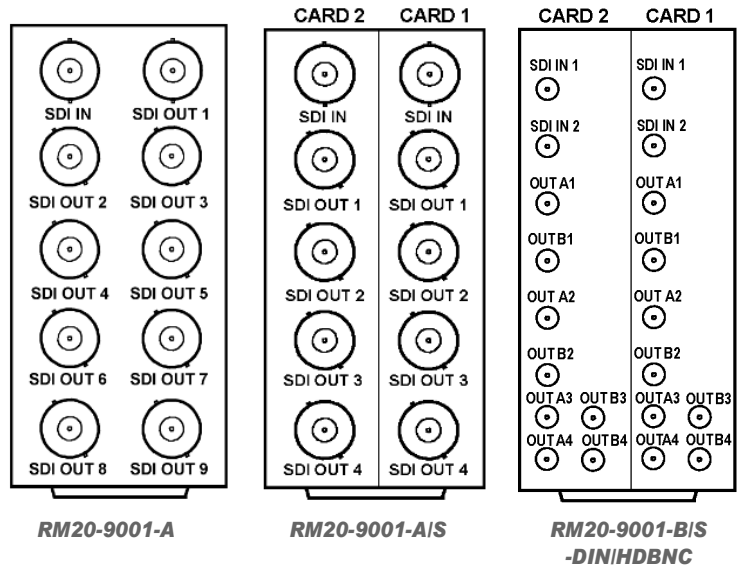
Number of Inputs: 1  
 Standard: SMPTE 424M, 292M, and 259M  
 Return Loss: >15 dB at 5 MHz - 1.485 GHz  
 >10 dB at 1.5 GHz to 3 GHz

### Cable Length Equalized (w/Belden 1694A)

3 Gbps: 80m  
 1.485 Gbps: 150m  
 143-360 Mbps: 350m

### 3G/HD/SD-SDI Output

Number of outputs: 9 (ASI compatible)  
 Standard: SMPTE 424M, 292M, and 259M  
 Signal Level: 800 mV nominal  
 Return Loss: >15 dB at 5 MHz - 1.485 GHz  
 >10 dB at 1.5 GHz to 3 GHz  
 Rise/Fall Time: <150 ps  
 Jitter (wideband): HD: <0.2 UI



## ORDERING INFORMATION

**9001** 3G/HD/SD 1x9 Reclocking Distribution Amplifier

**RM20-9001-A** 20 Slot Frame Rear I/O Module (Standard Width) 3G/HD/SD-SDI Input BNC, 9 Reclocked 3G/HD/SD-SDI Output BNCs

**RM20-9001-A/S** 20 Slot Frame Rear I/O Module (Split; supports 2 cards) 3G/HD/SD-SDI Input BNC, 4 Reclocked 3G/HD/SD-SDI Output BNCs (connections are per card)

**RM20-9001-B/S-DIN** 20 Slot Frame Rear I/O Module (Split; supports 2 cards) 3G/HD/SD-SDI Input, 9 Reclocked 3G/HD/SD-SDI Outputs (connections are per card; all connectors are DIN 1.0/2.3)

**RM20-9001-B/S-HDBNC** 20 Slot Frame Rear I/O Module (Split; supports 2 cards) 3G/HD/SD-SDI Input, 9 Reclocked 3G/HD/SD-SDI Outputs (connections are per card; all connectors are HD-BNC)