

9002 • 3G/HD/SD 1x9 Distribution Amplifier (Non-Reclocking)



The Cobalt® 9002 3G/HD/SD 1x9 Reclocking Distribution Amplifier (Non-Reclocking) is a multi-rate 1x9 SDI and ASI distribution amplifier capable of equalizing 3G, HD, and SD signals. All outputs are non-inverting, allowing for distribution of ASI signals. Excellent receiver EQ performance allows up to 150m cable lengths for HD signals.

FEATURES

Equalize up to 150m of Belden 1694A cable at 1.485 Gbit

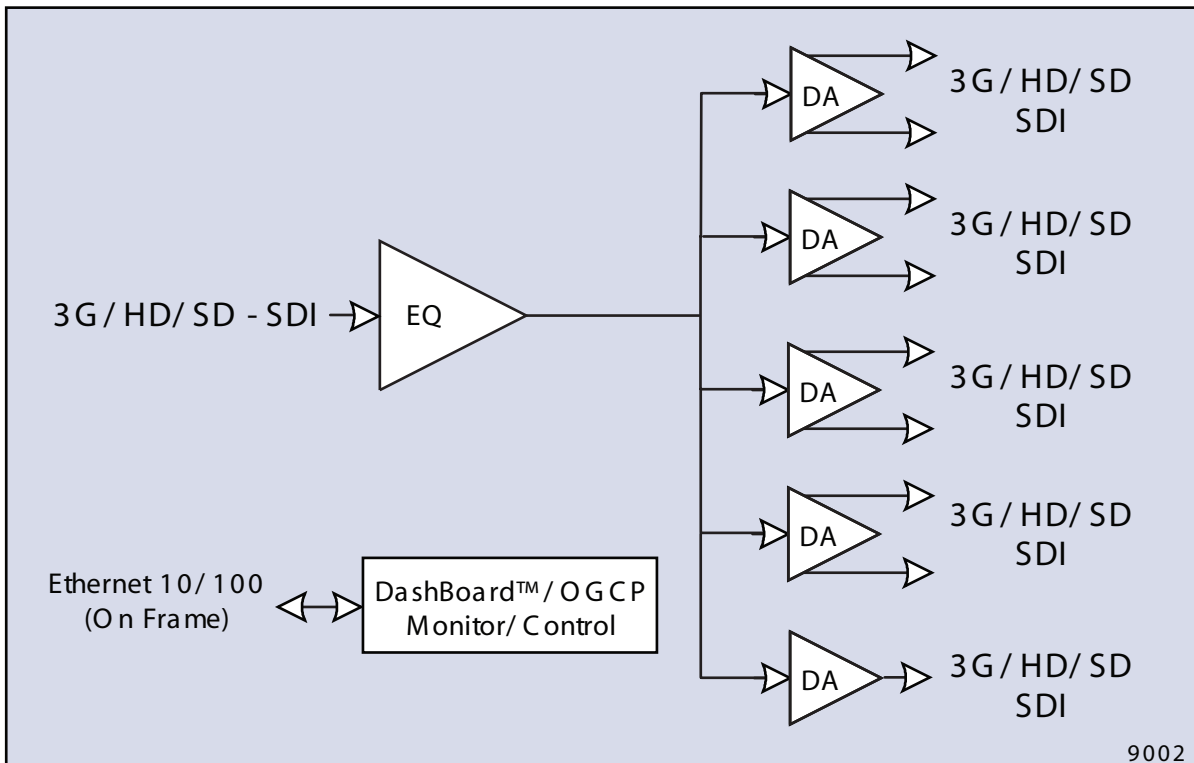
Automatic rate detection for all industry-standard data rates

ASI reclocking on all outputs

Available high-density rear modules allow up to 20 cards per frame

Remote control/monitoring via Dashboard™ software or OGCP-9000 remote control panels

Five year warranty



9002 • 3G/HD/SD 1x9 Distribution Amplifier (Non-Reclocking)

SPECIFICATIONS

Power

2 Watts

3G/HD/SD-SDI Inputs

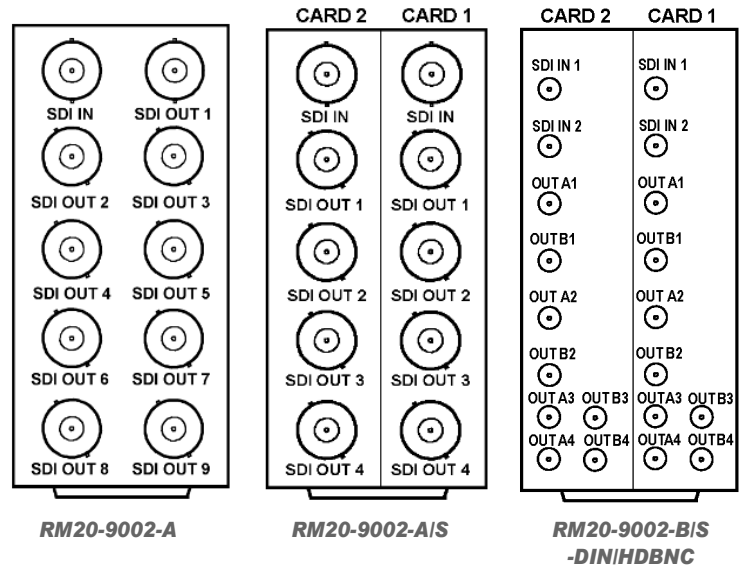
Number of Inputs: 1
 Standard: SMPTE 424M, 292M, and 259M
 Return Loss: >15 dB at 5 MHz - 1.485 GHz
 >10 dB at 1.5 GHz to 3 GHz

Cable Length Equalized (w/Belden 1694A)

3 Gbps: 80m
 1.485 Gbps: 150m
 143-360 Mbps: 350m

3G/HD/SD-SDI Output

Number of outputs: 9 (ASI compatible)
 Standard: SMPTE 424M, 292M, and 259M
 Signal Level: 800 mV nominal
 Return Loss: >15 dB at 5 MHz - 1.485 GHz
 >10 dB at 1.5 GHz to 3 GHz
 Rise/Fall Time: <150 ps
 Jitter (wideband): HD: <0.2 UI



ORDERING INFORMATION

9002 3G/HD/SD 1x9 Reclocking Distribution Amplifier (Non-Reclocking)

RM20-9002-A 20 Slot Frame Rear I/O Module (Standard Width) 3G/HD/SD-SDI Input BNC, 9 Reclocked 3G/HD/SD-SDI Output BNCs

RM20-9002-A/S 20 Slot Frame Rear I/O Module (Split; supports 2 cards) 3G/HD/SD-SDI Input BNC, 4 Reclocked 3G/HD/SD-SDI Output BNCs (connections are per card)

RM20-9002-B/S-DIN 20 Slot Frame Rear I/O Module (Split; supports 2 cards) 3G/HD/SD-SDI Input, 9 Reclocked 3G/HD/SD-SDI Outputs (connections are per card; all connectors are DIN 1.0/2.3)

RM20-9002-B/S-HDBNC 20 Slot Frame Rear I/O Module (Split; supports 2 cards) 3G/HD/SD-SDI Input, 9 Reclocked 3G/HD/SD-SDI Outputs (connections are per card; all connectors are HD-BNC)