

9003 • Dual-Channel 3G/HD/SD Reclocking Distribution Amplifier



The Cobalt® 9003 Dual-Channel 3G/HD/SD Reclocking Distribution Amplifier is a two-channel, multi-rate SDI distribution amplifier capable of equalizing and reclocking 3G, HD, and SD signals. Excellent receiver EQ performance allows for up to 160m cable lengths for HD signals.

The 9003 can be set up as either a single-channel 1:8, dual-channel 1:4, or 1:8 with failsafe using Dashboard™ remote control software or card-edge switches. In failsafe mode, the card automatically switches to the secondary input if the primary input is lost.

FEATURES

Dual or single input with user-configurable modes

Automatic rate detection for all industry-standard data rates

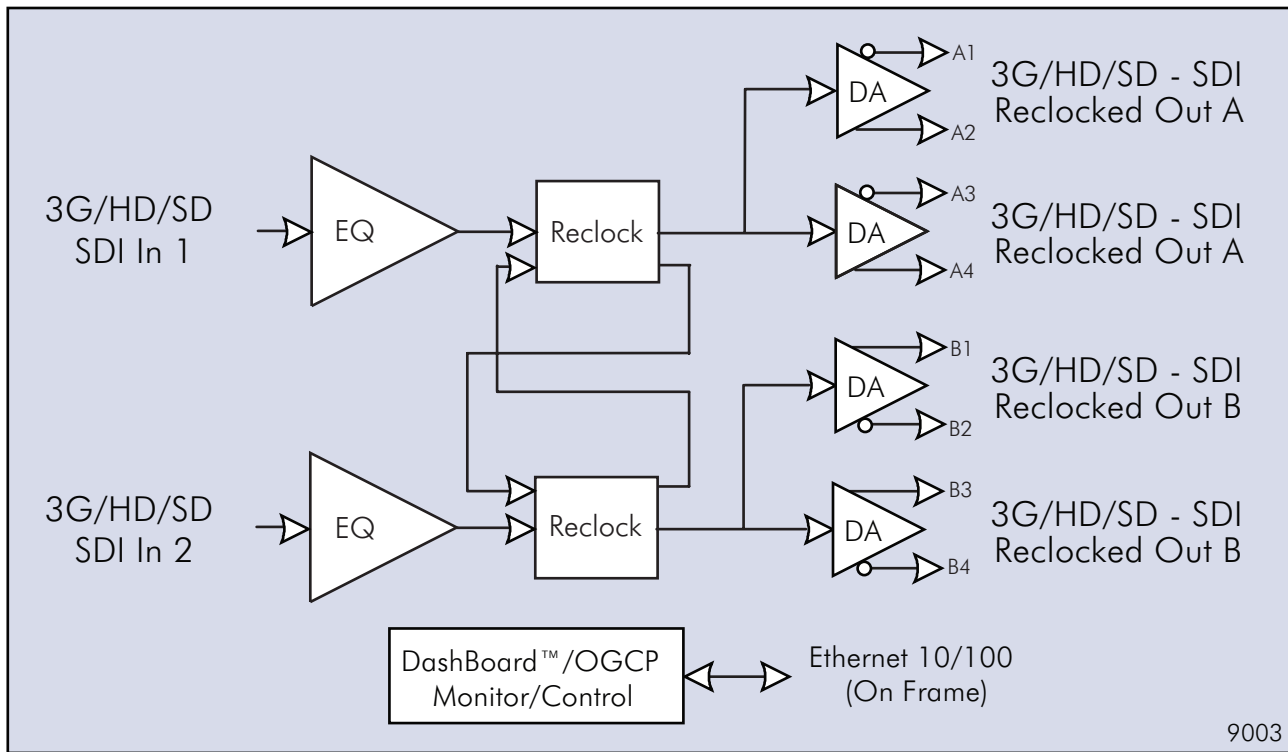
Equalize up to 160m of Belden 1694A cable at 1.485 Gbit

Failsafe mode automatically switches to secondary input on loss of primary input

Available high-density rear modules allow up to 20 cards per frame

Remote control/monitoring via Dashboard™ software or OGCP-9000 remote control panels

Five year warranty



9003



9003 • Dual-Channel 3G/HD/SD Reclocking Distribution Amplifier

SPECIFICATIONS

Power

3 Watts

3G/HD/SD-SDI Inputs

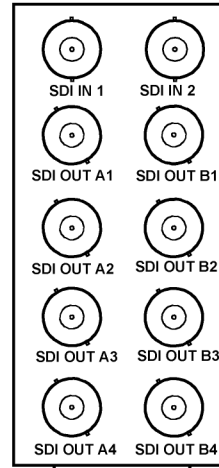
Number of Inputs: 2
 Standard: SMPTE 424M, 292M, and 259M
 Return Loss: >15 dB at 5 MHz - 1.485 GHz
 >10 dB at 1.5 GHz to 3 GHz

Cable Length Equalized (w/Belden 1694A)

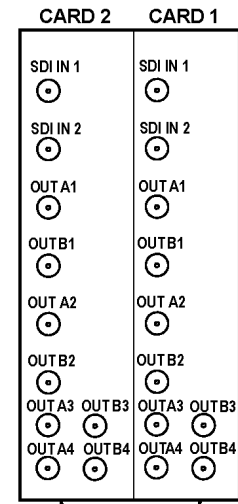
3 Gbps: 80m
 1.485 Gbps: 150m
 143-360 Mbps: 350m

3G/HD/SD-SDI Output

Number of outputs: 8 (4 ASI Compatible)
 Standard: SMPTE 424M, 292M, and 259M
 Signal Level: 800 mV nominal
 Return Loss: >15 dB at 5 MHz - 1.485 GHz
 >10 dB at 1.5 GHz to 3 GHz
 Rise/Fall Time: <150 ps
 Jitter (wideband): HD: <0.2 UI



RM20-9003-A



RM20-9003-B/S-DIN/HDBNC

ORDERING INFORMATION

9003 Dual-Channel 3G/HD/SD Reclocking Distribution Amplifier, 2 X 4 or 1 X 8 Configurations, Failover Mode

RM20-9003-A 20 Slot Frame Rear I/O Module (Standard Width) Dual 3G/HD/SD-SDI Inputs, 8 Reclocked 3G/HD/SD-SDI Outputs (1x8 or 1x4/1x4 DA Modes)

RM20-9003-B/S-DIN 20 Slot Frame Rear I/O Module (Split; supports 2 cards) Dual 3G/HD/SD-SDI Inputs, 8 Reclocked 3G/HD/SD-SDI Outputs (1x8 or 1x4/1x4 DA Modes) (connections are per card; all connections are DIN 1.0/2.3)

RM20-9003-B/S-HDBNC 20 Slot Frame Rear I/O Module (Split; supports 2 cards) Dual 3G/HD/SD-SDI Inputs, 8 Reclocked 3G/HD/SD-SDI Outputs (1x8 or 1x4/1x4 DA Modes) (connections are per card; all connections are HD-BNC)