

9121 • 3G/HD/SD-SDI / ASI Redundancy Switch



The **9121 3G/HD/SD-SDI / ASI Redundancy Switch** allows manual or failover changeover control between two SDI or ASI sources to a common SDI or ASI output. Output routing uses latching relay routing to retain the selected I/O path even if the card/frame is powered down or the card is removed from its slot. Switchover can be manually activated or be set to provide intelligent automatic failover based on GPI or signal validity.

The 9121 is very straightforward in operation in that the signal path is via a direct (passive) relay path output (the selected input is also available via non-relay coupled 4x DA drivers). The entire signal package is kept intact with no modification of the signal.

FEATURES

Automatically provides passive-path switchover protection to alternate SDI/ASI stream in case of signal loss

Simple relay routing signal path maintains full signal integrity. Rear-module located latching relays maintain signal path even if card/power is lost.

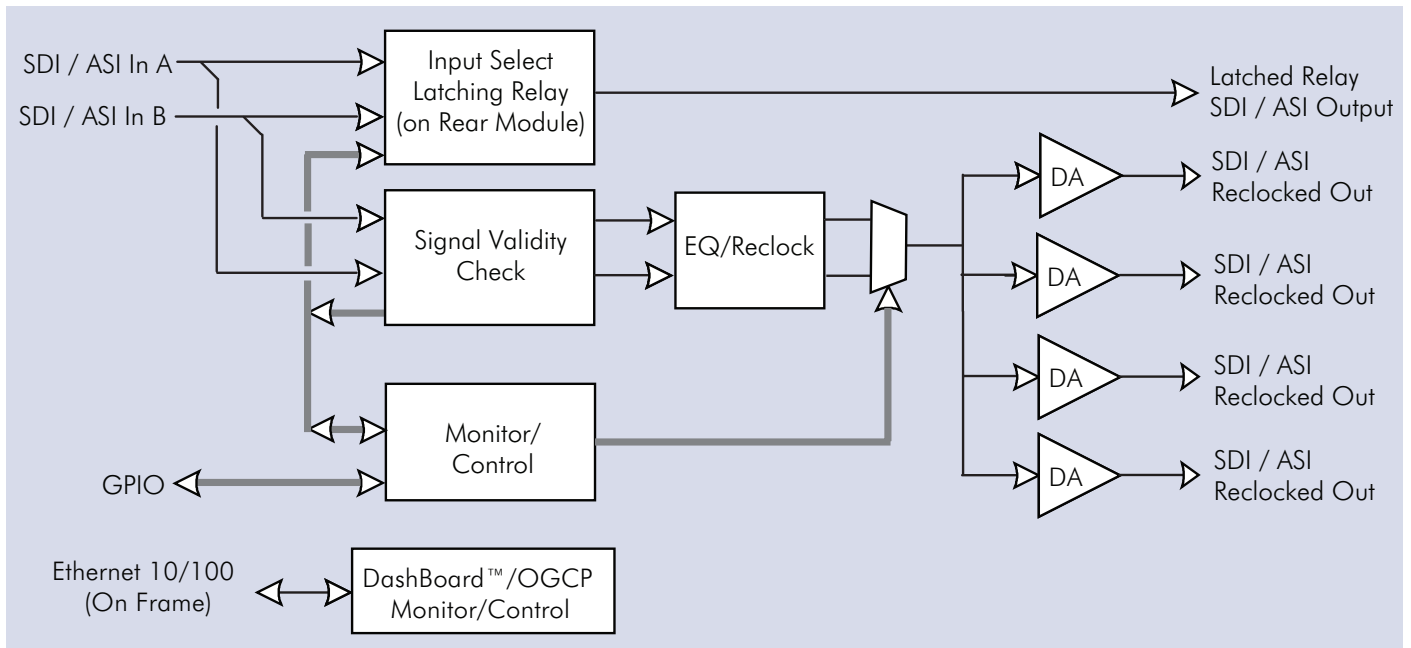
Alternate non-relay 4x DA output (with reclock enable/disable) also provided

Selectable input switchover with automatic failover on loss of input, or manual switchover using DashBoard remote control or GPI

3G/HD/SD-SDI and ASI compatible on all inputs and outputs

DashBoard™ signal status monitoring of both active and alternate inputs. Card log page shows a history of recent routing events (whether manually or auto-failover invoked).

Five year warranty



9121 • 3G/HD/SD-SDI / ASI Redundancy Switch

SPECIFICATIONS

Note: Inputs/outputs are a function in some cases of rear I/O module used.

Power

< 6 Watts

Switchover Triggering

Selectable automatic failover upon loss of valid SMPTE 424M, 292M, or 259M formatted signal. Manual switchover using DashBoard remote control or GPI.

3G/HD/SD-SDI / ASI Inputs

Number of inputs: 2

Standards (SDI):

3G-SDI (SMPTE 424M)

HD-SDI (SMPTE 292M)

SD-SDI (SMPTE 259M)

Impedance: 75Ω

SDI/ASI Outputs

Number of outputs:

(1) 75Ω BNC Latching relay direct from selected input A or B

(4) 75Ω BNC Reclocked via mux from selected input A or B

213Mbit/s maximum ASI TS bit-rate per port

GPI

Two independent inputs

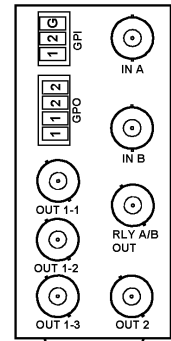
Independent edge-triggered on H/L transition

Connector: 3-terminal Phoenix; GPI-1/GPI-2/COM

GPO

Two, independent non-referenced opto-isolated upon configurable true condition(s).

Connector: 4-terminal Phoenix; GPO-1/GPO-2



RM20-9121-B

ORDERING INFORMATION

9121 3G/HD/SD-SDI / ASI Redundancy Switch

RM20-9121-B 20-Slot Frame Rear I/O Module (Standard Width) Dual SDI/ASI Input BNCs, Relay SDI/ASI Output BNC, 4 SDI/ASI Reclockable Output BNCs, 2 GPI, 2 GPO