

9220-SA • Bidirectional ASI/MPTS Standalone Gateway Unit



The **9220-SA** provides a compact form-factor standalone bidirectional ASI/IP gateway that can receive transport streams over ASI and transmit streams over IP, or receive transport streams over IP and transmit streams over ASI. Utilizing the openGear® open-architecture control/monitoring platform, the 9220-SA can be remotely controlled and monitored with the free, easy-to-use DashBoard™ setup and control operator interface. (When connected to your network, the 9220-SA appears in DashBoard just like any other device.)

It features up to 6 ASI ports, individually configurable as inputs or outputs. With option +TS-SA, the 9220-SA can support up to six ASI/IP bidirectional conversions simultaneously (standard support with no additional licenses supports one ASI/IP bidirectional gateway). The 9220-SA can be used to facilitate seamless plant distribution/contribution over IP. It also includes advanced redundancy protection features, allowing for automatic failover if the primary signal disappears. The 9220-SA supports both unicast and multicast, with IGMP V1, V2 and V3. DashBoard™ remote control allows easy centralized control and monitoring access.

FEATURES

Compact self-contained form with built-in AC power supply

Up to six ASI inputs/outputs supported (standard supports one ASI/IP gateway with up to five additional with corresponding +TS-SA licensing)

Bidirectional ASI/IP encapsulation or de-encapsulation

1x Gigabit Ethernet IP interface

Optional 2x Gigabit IP interface

Multicast IGMP v1, v2, and v3 support

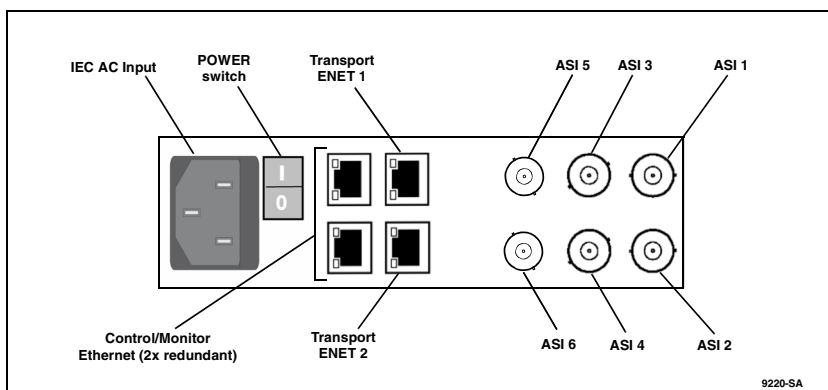
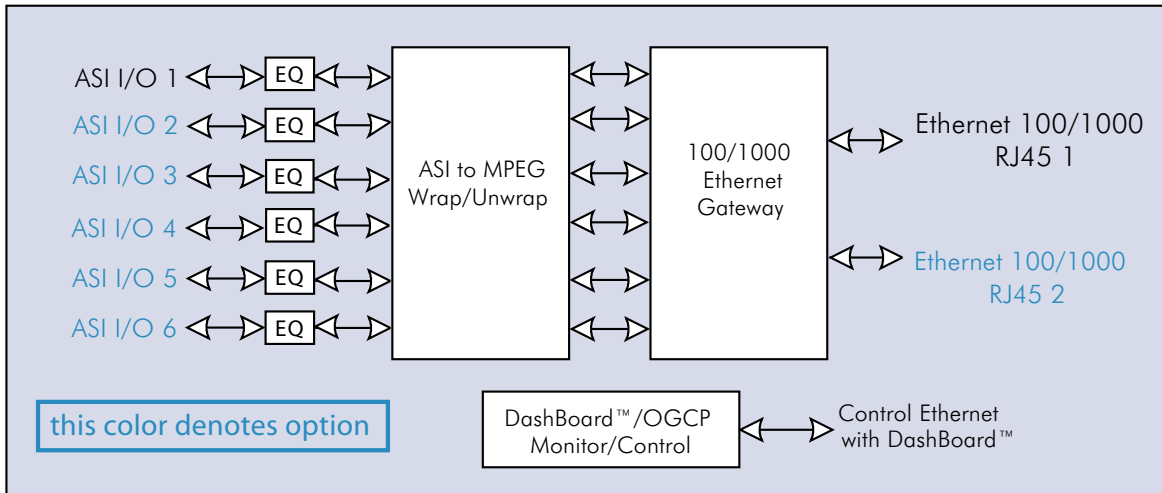
Easy integration and control/monitoring via DashBoard remote control

Five year warranty

OPTIONS

+TS-SA - Additional ASI or IP Transport Stream Output

+GBE-SA - Second Activated Gigabit Ethernet Port



9220-SA • Bidirectional ASI/MPTS Standalone Gateway Unit

SPECIFICATIONS

Power

100-250 VAC, 47-63 Hz, 15W

DVB-ASI Input/Output

Number of ports: 6 (max) bi-directional, 75Ω BNC DVB-ASI
213Mbit/s maximum ASI TS bit-rate per port

Network I/O

Number of ports: 2, 100/1000Base-T RJ-45
IPv4, IPv6, UDP & RTP
900Mbit/s usable GbE per Rx port
900Mbit/s usable GbE per Tx port
600Mbit/s maximum processing per card
213Mbit/s maximum ASI TS bitrate per port

Regulatory Compliance

CE: CE marked in accordance with 93/68/EEC (22/07/03) Directive
UL: UL approval
US FCC: Part 15
EMC: EN55022, EN55024, EN6100-3-2

Physical

Dimensions (WxHxD): 5.8 x 1.8 x 14 in (14.7 x 4.6 x 35.6 cm) (including component projection)

Video Transcoding

Input:
MPEG-4 AVC HP@L4.0, HP@L4.2 (HD)
MPEG-4 AVC MP@L3.0 (SD)
MPEG-2 HP@HL (HD)
MPEG-2 MP@ML (SD)

ORDERING INFORMATION

9220-SA Bidirectional ASI/MPTS Standalone Gateway Unit

+TS-SA Optional Additional ASI or IP Transport Stream Output. License is per added transport stream exiting the gateway, either IP or ASI-based (example: 1 added transport stream as ASI and 1 added transport stream as IP requires 2 added licenses).

+GBE-SA Optional Activated Second Gigabit Ethernet Port

TRAY 1 RU Rack Mount Tray (supports up to 3 units)