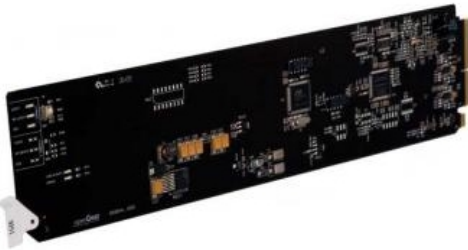


9242 • Analog Audio Distribution Amplifier With Remote Gain Control



The **9242 Analog Audio Distribution Amplifier with Remote Gain Control** is a broadcast-quality balanced analog audio DA with stereo 2x4, mono 1x8, and stereo sum L+R x 8 selectable output modes. Unlike most analog audio DAs, the 9242 electronic attenuators allow overall gain (stereo ganged) and per-channel trim (offset) via DashBoard™ remote control.

The space-saving design and very low power consumption of the 9242 provides for high density, allowing two cards to be collocated in adjacent slots and served by a single, standard-width “split” rear module.

FEATURES

Full remote control of operating mode and gain control

Multiple modes – stereo 2x4, mono 1x8, and stereo sum L+R x 8 outputs

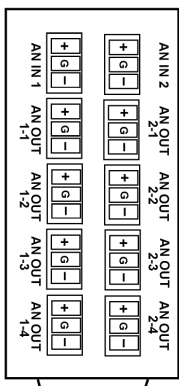
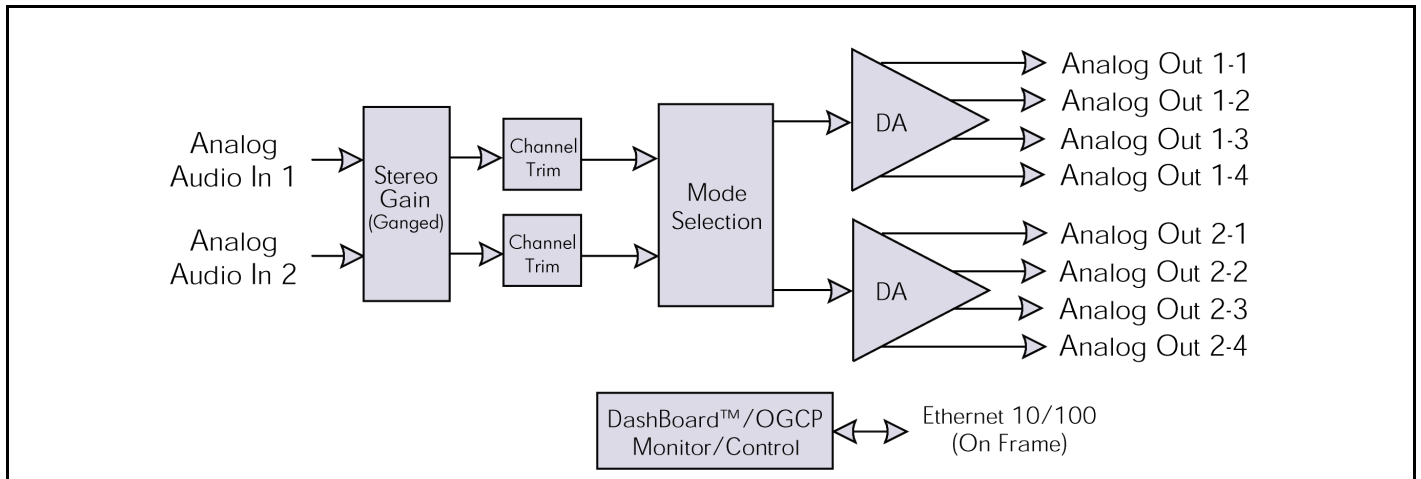
Full broadcast-grade balanced signal capability with 27.5 dBu maximum input level support. Low-impedance outputs.

Selectable card switch control or DashBoard™ remote control (usable with DashBoard™ and Cobalt OGCP-9000 remote control panels)

Remote monitoring via DashBoard™ software or OGCP-9000 Remote Control Panel

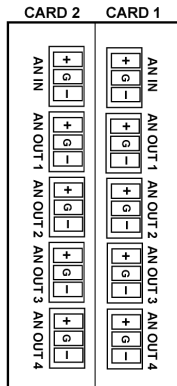
Hot-swappable

Five year warranty



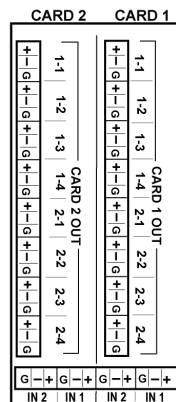
Note: + / G / - orientation on connectors varies from that on other Cobalt products. Make certain hookup is as shown here.

RM20-9242-B



Note: + / G / - orientation on connectors varies from that on other Cobalt products. Make certain hookup is as shown here.

RM20-9242-CIS



Note: Outputs 2-1 thru 2-4 are outputs 1-5 thru 1-8 when card used in mono DA or mono mix DA mode. Screened connection info on PCB may be incorrect. Always use this diagram when making connections.

RM20-9242-DIS



9242 • Analog Audio Distribution Amplifier With Remote Gain Control

SPECIFICATIONS

Note: Inputs/outputs are a function in some cases of rear I/O module used.

Power

< 5 Watts

Analog Audio Input

Number of Inputs: (2) balanced
Impedance: > 20 k Ω , balanced
Maximum Input Level: +27.5 dBu
Connector Type: WECCO® removable modular

Performance

Gain: -15 dB to +15 dB
Frequency Response: 20 - 20 kHz \pm 0.1 dB
Noise: < -85 dBu, 10 - 22 kHz at unity gain
Harmonic Distortion: < 0.01%

Analog Audio Outputs

Number of Outputs: (8) balanced; available as stereo 2x4, mono 1x8, and stereo sum L+R x 8 outputs
Impedance: 60 Ω , balanced
Output Isolation: > 60 dB
Connector Type: WECCO® removable modular

ORDERING INFORMATION

9910DA-AV-EQ Analog Audio Distribution Amplifier with Remote Gain Control

RM20-9242-B 20-Slot Frame Rear I/O Module (Standard Width) (2) Balanced Analog Audio In, (8) Balanced Analog Audio Out

RM20-9242-C/S 20-Slot Frame Rear I/O Module (Split) Dual 1x4 Balanced Analog Audio I/O (connections are per card)

RM20-9242-D/S 20-Slot Frame Rear I/O Module (Split) Dual 1x4 Differential Analog Audio I/O (connections are per card)