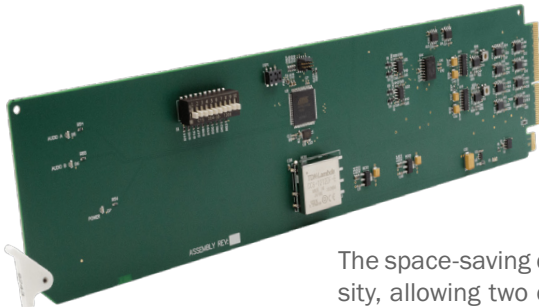


9243 • Analog Audio Distribution Amplifier With Remote Gain Control



The **9243** Analog Audio Distribution Amplifier with Remote Gain Control is a broadcast-quality balanced analog audio DA with stereo 2x4, mono 1x8, and stereo sum L+R x 8 selectable output modes. Unlike most analog audio DAs, the 9243 electronic attenuators allow overall gain (stereo ganged) and per-channel trim (offset) via Dashboard™ remote control.

The space-saving design and very low power consumption of the 9243 provides for high density, allowing two cards to be collocated in adjacent slots and served by a single, standard width “split” rear module.

FEATURES

Full remote control of operating mode and gain control

Multiple modes — stereo 2x4, mono 1x8, and stereo sum L+R x 8 outputs

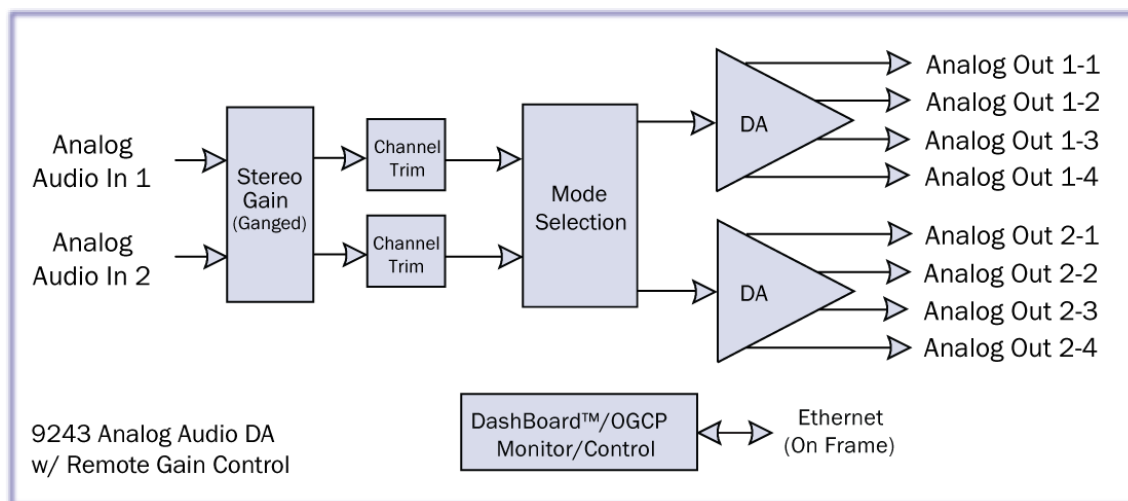
Full broadcast-grade balanced signal capability with 27dBu maximum input level support. Low-impedance outputs.

Selectable card switch control or Dashboard™ remote control (usable with Dashboard™ and Cobalt OGCP-9000 remote control panels)

Remote control via Ethernet using free Dashboard™ software, or optional OGCP-9000 remote control panel

Hot swappable openGear® card

Five-year warranty



9243 • Analog Audio Distribution Amplifier With Remote Gain Control

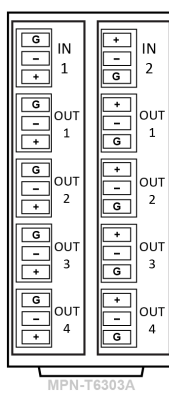
ORDERING INFORMATION

9243 Analog Audio Distribution Amplifier with Remote Gain Control

RM20-9243-B 20-Slot Frame Rear I/O Module (Standard Width) (2) Balanced Analog Audio Inputs, (8) Balanced Analog Audio Outputs

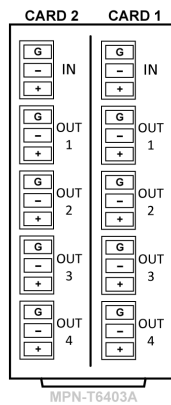
RM20-9243-C/S 20-Slot Frame Rear I/O Module (Split) 1x4 Balanced Analog Audio I/O (connections are per card)

RM20-9243-D/S 20-Slot Frame Rear I/O Module (Split) Dual 1x4 Balanced Analog Audio I/O (connections are per card)



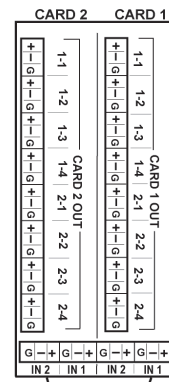
Note: G / - / + on Connector
Make certain hookup is as shown here.

RM20-9243-B



Note: G / - / + on connectors.
Make certain hookup is as shown here.

RM20-9243-C/S



Note: Outputs 2-1 thru 2-4 are outputs 1-5 thru 1-8 when card used in mono DA or mono mix DA mode. Screened connection info on PCB may be incorrect. Always use this diagram when making connections.

RM20-9243-D/S

SPECIFICATIONS

Note: Inputs/outputs are a function in some cases of the rear I/O module used.

Power < 5 watts

Analog Audio Inputs

Number of Inputs: (2) balanced
Impedance: > 20 k Ω , balanced
Maximum Input Level: +27 dBu
Connector Type: Phoenix® removable modular

Performance

Gain: -15 dB to +15 dB
Frequency Response: 20 – 20 kHz \pm 0.1 dB
Noise: < -85 dBu, 10 – 22 kHz at unity gain
Harmonic Distortion: < 0.01%

Analog Audio Outputs

Number of Outputs: (8) balanced; available as stereo 2x4, mono 1x8, and stereo sum L+R x 8 outputs
Impedance: 60 Ω , balanced
Output Isolation: > 60 dBFF
Max Level: +26 dBu
Connector Type: Phoenix® removable modular

openGear® is a registered trademark of Ross Video Limited. DashBoard™ is a trademark of Ross Video Limited.

