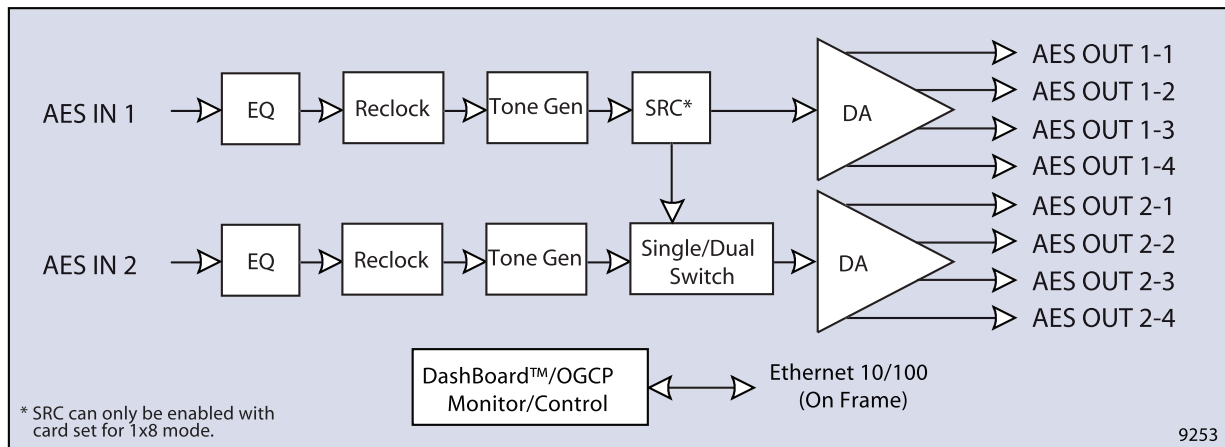


9253 • 2x4 AES Audio Distribution Amplifier, 75 Ohms



The **9253** is a dual AES/EBU distribution amplifier, providing four copies of each incoming signal. The card supports audio sampling frequencies from 30 kHz to 192 kHz. It can also be used as a 1x8 distribution amplifier, providing eight outputs that are sample rate converted. Cable equalization and reclocking techniques enable the 9253 to reliably recover the incoming digital audio signal.

The 9253 has two 75Ω unbalanced AES inputs and four 75Ω unbalanced AES outputs per AES input. Card status can be monitored using DashBoard™ remote control software.



FEATURES

Supports audio sampling frequencies from 30 kHz to 192 kHz

Cable equalization and data reclocking on AES inputs

Configurable as dual 1x4 or 1x8 distribution amplifier

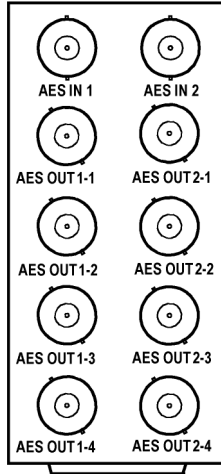
DashBoard™ remote control status monitoring and setup/control

Hot-swappable

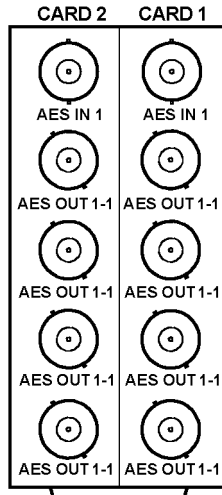
Five year warranty



9253 • 2x4 AES Audio Distribution Amplifier, 75 Ohms

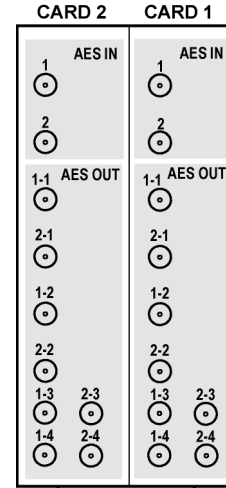


RM20-9253-A



Note: Because input AES IN 2 cannot be used with this rear module, card should be set to 1x8 mode instead of 2x4 mode. Using 2x4 mode with this rear module will result in IN2 error indication.

RM20-9253-AIS



RM20-9253-B/S

9253 • 2x4 AES Audio Distribution Amplifier, 75 Ohms**SPECIFICATIONS****Electrical**

Power: 4 Watts

AES Input

Number of Inputs: 2 unbalanced BNC (2 Ch per BNC)

Impedance: 75 Ω

Supported external reference type: DARS (via frame reference or AES IN 2 set as ref input). Ref source set using card jumpers.

Resolution: 24-bit

Level: 0.2 - 7 Vp-p

Sample rate: 30 kHz to 192 kHz

AES Output

Number of outputs: 8 unbalanced BNC (2 Ch per BNC)

Impedance: 75 Ω

Resolution: 24-bit

Level: 1 Vp-p

Sample rate: 30 kHz to 192 kHz

Jitter: < 5 ns

ORDERING INFORMATION

9253 2 X 4 AES/EBU Reclocking Distribution Amplifier, 75 Ohm, Unbalanced, BNC I/O

RM20-9253-A 20-Slot Frame Rear I/O Module (Standard Width) 2 AES Input BNCs, 8 AES Output BNCs

RM20-9253-A/S 20-Slot Frame Rear I/O Module (Split, supports 2 cards) AES IN 1 Input BNC, 4 AES DA Output BNCs (connections are per card)

RM20-9253-B/S-HDBNC 20-Slot Frame Rear I/O Module (Split, supports 2 cards) 2 AES Input BNCs, 8 AES Output BNCs (connections are per card; all connectors HD-BNC)

RM20-9253-B/S-DIN 20-Slot Frame Rear I/O Module (Split, supports 2 cards) 2 AES Input BNCs, 8 AES Output BNCs (connections are per card; all connectors DIN1.0/2.3)