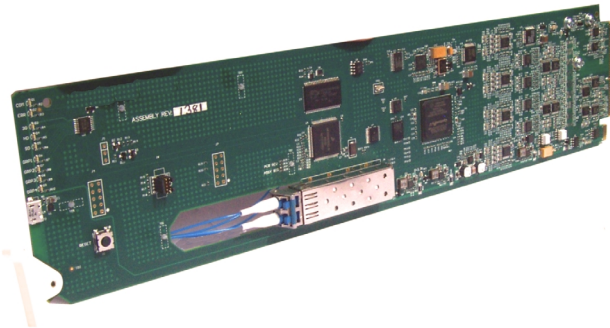


9410DA-EOOE • 3G/HD/SD-SDI / ASI / MADI Fiber EOOE Transport/Distribution Amplifier with Full-Flexibility Crosspoint



The Cobalt® 9410DA-EOOE 3G/HD/SD-SDI / ASI / MADI Fiber EOOE Transport/Distribution Amplifier with Full-Flexibility Crosspoint provides a card-based solution for high-density conversion between coax and fiber, as well as coaxial distribution. The 9410DA-EOOE is multi-rate, and supports SDI and ASI/DVB on all inputs and outputs with non-inverting outputs.

SFP-based EO and OE converters provide state-of-the-art fiber performance, power consumption, and compactness. A crosspoint (which is user-configurable via DashBoard™ GUI remote control) allows the card to apply any of the card inputs to various coax DA outputs as well as a fiber output. Up to 10 flexibly-sourced coaxial DA outputs are available per each card. Because the card's fiber input and output can be linked to any channel handled by the card, independent EO and OE paths are available with true independent EOOE transceiver operation.

Using a high-density low-power design along with a high-density split rear module, up to 20 cards can be installed in a frame, providing 20 channels of EO and OE conversion as well as up to 200 coaxial DA outputs. Excellent receive performance allows coaxial receive EQ for up to 110m 3G, 180m HD, and 360m SD cable length (1694A). Full user DashBoard™ or Remote Control Panel remote control allows full status and control access locally or across a standard Ethernet network.

FEATURES

Full support of 3G/HD/SD-SDI and ASI/DVB

Fully-flexible coaxial crosspoint/DA provides up to 10 copies per card. Crosspoint can select from any card input.

Independent fiber receiver and transmitters can be linked to any card channel, offering full EOOE transceiver operation

Excellent coax receive performance – EQ allows 1694A cable lengths up to 110m (3G) / 180m (HD) / 360m (SD)

SFP-based EO/OE converters provide state-of-the-art fiber performance, power consumption, and compactness

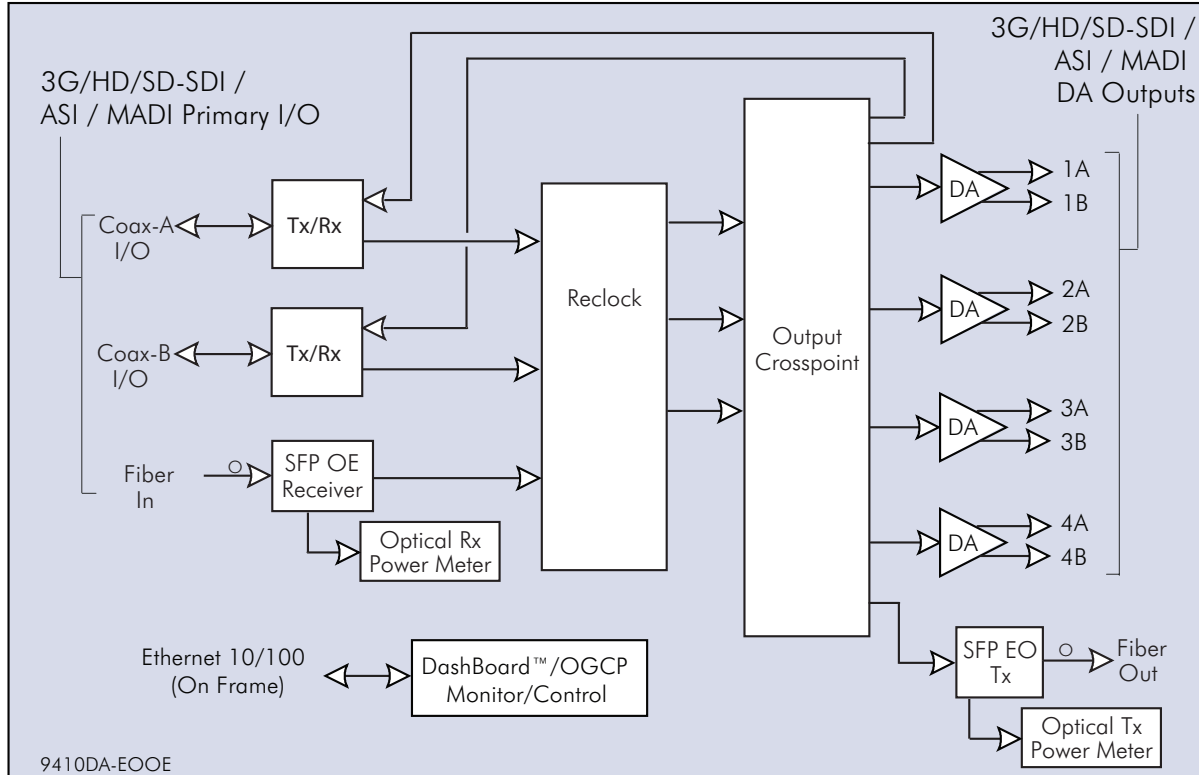
Automatic reclocking for all SDI data rates (auto-bypass for non-SDI data rates)

All outputs are non-inverting – ASI can be outputted on any output

Optical Tx and Rx power status fields allow optical Tx/Rx confidence assessment

DashBoard™ status and full remote control

Five year warranty



9410DA-EOOE • 3G/HD/SD-SDI / ASI / MADI Fiber EOOE Transport/Distribution Amplifier with Full-Flexibility Crosspoint

SPECIFICATIONS

Note: Inputs/outputs are a function of rear I/O module used.
Specifications subject to change.

Power

< 10 Watts

3G/HD/SD-SDI / ASI / MADI Inputs/Outputs (Coaxial Primary)

(2) 75Ω BNC input/outputs max (A-I/O and B-I/O)
SDI Formats Supported: SMPTE 259M, SMPTE 292M, SMPTE 424M

Coaxial Receive Performance (Cable Length; Belden 1694A)

SDI Receive Cable Length (1694A): 110m/180m/360m (3G/HD/SD)

Fiber Transmit Output

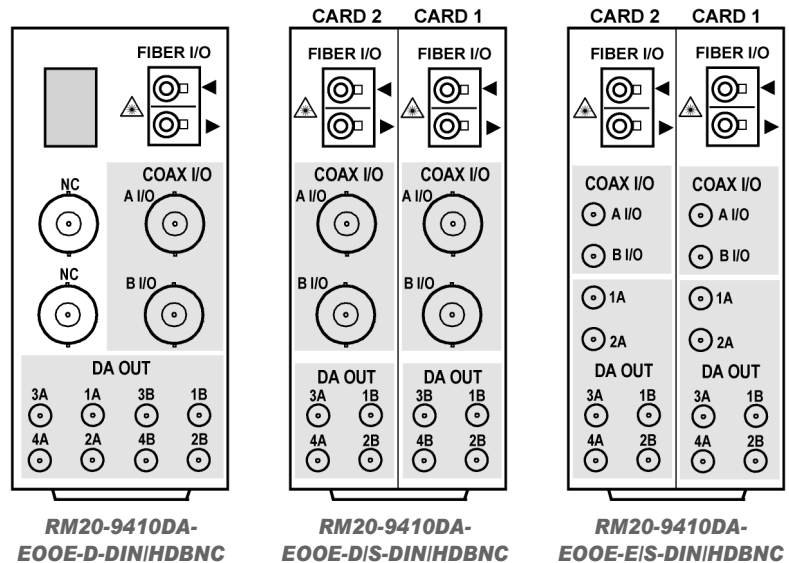
(1) Fiber output; LC connector
Fiber Wavelength, Tx: 1310 nm
Tx Power: -5.0 dBm (min)

Fiber Receive Input

(1) Fiber input; LC connector
Receive Sensitivity: -23 dBm; 1260 to 1620 nm (with internal power meter status display)

3G/HD/SD-SDI / ASI / MADI Outputs (DA Outputs)

Four, 1x2 75Ω BNC outputs (8 total, max). Each DA pair can receive any primary or opposite-channel DA signal.
Signal Level: 800 mV nominal
Alignment Jitter: 3G/HD/SD: < 0.3/0.2/0.2 UI
Timing Jitter: 3G/HD/SD: < 2.0/1.0/0.2 UI



ORDERING INFORMATION

9410DA-EOOE 3G/HD/SD-SDI / ASI / MADI Fiber EOOE Transport/Distribution Amplifier with Full-Flexibility Crosspoint

RM20-9410-EOOE-D-DIN 20-Slot Frame Rear I/O Module (Standard-Width). (2) 3G/HD/SD-SDI / ASI / MADI input/output BNCs, (1) Fiber in (LC connector), (1) Fiber out (LC connector), (8) DA coaxial outputs (DA output connectors are DIN1.0/2.3) (**Note:** Mates to card in **odd** frame slot.) (**Note:** This rear module supersedes -B model (which is discontinued).

RM20-9410-EOOE-D-HDBNC 20-Slot Frame Rear I/O Module (Standard-Width). (2) 3G/HD/SD-SDI / ASI / MADI input/output BNCs, (1) Fiber in (LC connector), (1) Fiber out (LC connector), (8) DA coaxial outputs (DA output connectors are HD-BNC) (**Note:** Mates to card in **odd** frame slot.) (**Note:** This rear module supersedes -B model (which is discontinued).

RM20-9410DA-EOOE-D/S-DIN 20-Slot Frame Rear I/O Module (Split; supports 2 cards). (2) 3G/HD/SD-SDI / ASI / MADI input/outputs, (1) Fiber in (LC connector), (1) Fiber out (LC connector), (4) DA coaxial outputs (connections are per card; DA output connectors are DIN1.0/2.3) (**Note:** This rear module supersedes -B/S model (which is discontinued).

RM20-9410DA-EOOE-D/S-HDBNC 20-Slot Frame Rear I/O Module (Split; supports 2 cards). (2) 3G/HD/SD-SDI / ASI / MADI input/outputs, (1) Fiber in (LC connector), (1) Fiber out (LC connector), (4) DA coaxial outputs (connections are per card; DA output connectors are HD-BNC) (**Note:** This rear module supersedes -B/S model (which is discontinued).

RM20-9410DA-EOOE-E/S-DIN 20-Slot Frame Rear I/O Module (Split; supports 2 cards). (2) 3G/HD/SD-SDI / ASI / MADI input/outputs, (1) Fiber in (LC connector), (1) Fiber out (LC connector), (6) DA coaxial outputs (connections are per card; coaxial connectors are DIN1.0/2.3) (**Note:** This rear module supersedes -C/S model (which is discontinued).

RM20-9410DA-EOOE-E/S-HDBNC 20-Slot Frame Rear I/O Module (Split; supports 2 cards). (2) 3G/HD/SD-SDI / ASI / MADI input/outputs, (1) Fiber in (LC connector), (1) Fiber out (LC connector), (6) DA coaxial outputs (connections are per card; coaxial connectors are HD-BNC) (**Note:** This rear module supersedes -C/S model (which is discontinued).