

9450GT • Fiber Ethernet Switch Transceivers



The 9450GT series of fiber Ethernet switch transceivers are available in several versions providing various link length support using dual-fiber Tx/Rx. (Non-fiber model 9450GT-NF is also available.) A built-in switch accommodates four Ethernet ports. Gbit ports flexibly support most communications including IP-based video/audio, control, and other data.

RJ-45 Ethernet ports provide 1Gb/s connectivity for multiple Ethernet enabled devices or links to additional network switches. A dual-fiber optical port provides an Ethernet link over a dual fiber connection for extended distances (available in 20km, 40km, and 80km link-length versions). CWDM models are available with 16 wavelength divisions, allowing 64 discrete Ethernet ports to be muxed onto a single fiber pair.

FEATURES

Four independent copper Gigabit Ethernet ports supporting DHCP, ARP, Multicast/Broadcast

Dual LC Optical Connection. Blindmate connections with no active components on rear I/O module.

Low-power, high-density design; <8 Watts

Internal GigE midplane connection (with OG3-FR frame only)

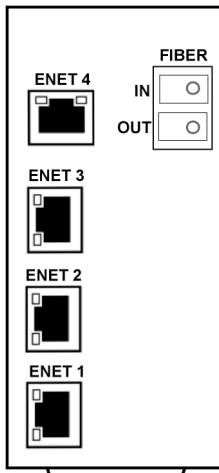
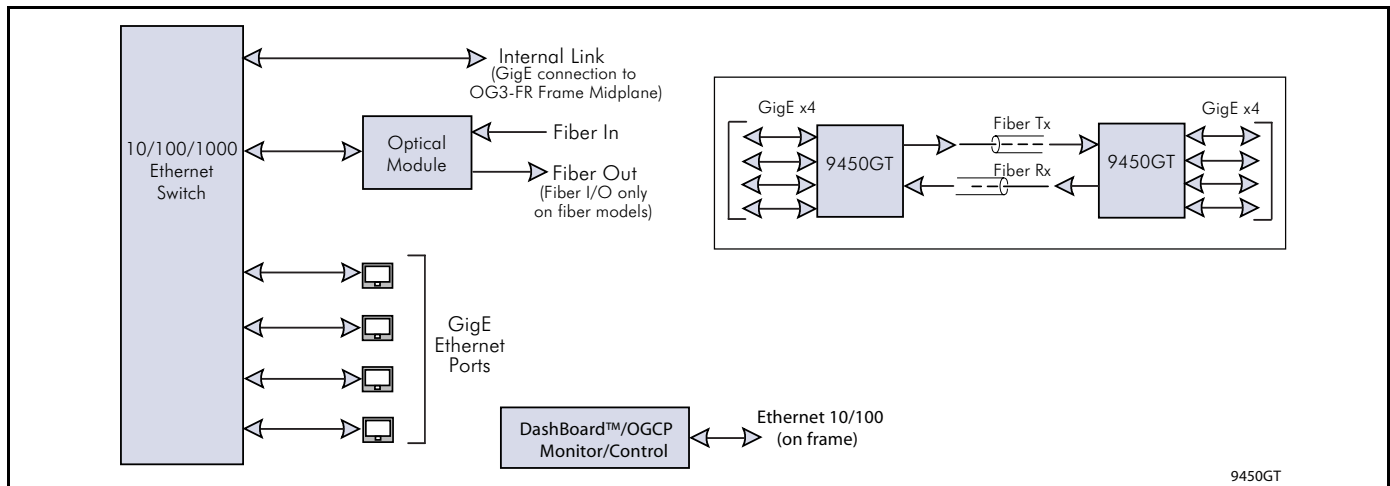
CWDM models available in 16 different wavelength divisions, offering up to 64 channels of discrete Ethernet port muxing

SNMP compliant

Available in 20km, 40km, and 80km versions using LC-terminated fiber

- 9450GT-20KM-LC – 20km link length
- 9450GT-40KM-LC – 40km link length
- 9450GT-80KM-LC – 80km link length
- 9450GT-CWDM – see Ordering Information

Five year warranty



RM20-9450GT-B
(Model 9450GT-NF has fiber ports unpopulated)



9450GT • Fiber Ethernet Switch Transceivers

SPECIFICATIONS

Electrical

Power: 7 Watts

Optical

Number of inputs/outputs: 1

Nominal Wavelength: 1310nm (9450GT-20KM, 9450GT-40KM)

1550 (9450GT-80KM)

Tx Power:

-3dBm to -8dBm (9450GT-20KM)

+3dBm to -2dBm (9450GT-40KM)

+5dBm to 0dBm (9450GT-80KM, 9450GT-CWDM-XX-LC)

+7dBm to +2dBm (9450GT-CWDM-XXH-LC)

Rx Sensitivity:

-3dBm to -22dBm (9450GT-20KM)

-3dBm to -24dBm (9450GT-40KM, 9450GT-80KM, 9450GT-CWDM-XX-LC)

-10dBm to -32dBm (9450GT-CWDM-XXH-LC)

Optical Budget:

14 dB (9450GT-20KM)

22 dB (9450GT-40KM)

24 dB (9450GT-80KM, 9450GT-CWDM-XX-LC) 34 dB (9450GT-80KM, 9450GT-CWDM-XXH-LC) Receiver Overload: values above -3dB; -10dBm (9450GT-CWDM-XXH-LC)

Connector Type: Single Mode LC/UPC.

Ethernet

Number of Ports: 4

Cable Type: Standard straight-thru CAT-5e

Connector Type: RJ-45

ORDERING INFORMATION

9450GT-20KM-LC Single-Link Ethernet/Fiber Transceiver. Dual-Fiber 20km, 1310nm Tx/Rx. Includes Rear I/O Module (LC connectors only)

9450GT-40KM-LC Single-Link Ethernet/Fiber Transceiver. Dual-Fiber 40km, 1310nm Tx/Rx. Includes Rear I/O Module (LC connectors only)

9450GT-80KM-LC Single-Link Ethernet/Fiber Transceiver. Dual-Fiber 80km, 1550nm Tx/Rx. Includes Rear I/O Module (LC connectors only)

9450GT-NF 4-Port Ethernet Switch (omits fiber I/O interfaces). Includes Rear I/O Module.

9450GT-CWDM-XX-LC Single-Link Ethernet/Fiber Transceiver. Dual-Fiber 20km, CWDM Tx/Rx. Includes Rear I/O Module (LC connectors only). Replace "XX" with desired CWDM wavelength when ordering. See table below for available CWDM wavelengths.

9450GT-CWDM-XXH-LC Single-Link Ethernet/Fiber Transceiver. Dual-Fiber 20km, CWDM Tx/Rx with high-sensitivity Rx. Includes Rear I/O Module (LC connectors only). Replace "XX" with desired CWDM wavelength when ordering. See table below for available CWDM wavelengths.

-27: 1270nm	-29: 1290nm	-31: 1310nm
-33: 1330nm	-35: 1350nm	-37: 1370nm
-43: 1430nm	-45: 1450nm	-47: 1470nm
-49: 1490nm	-51: 1510nm	-53: 1530nm
-55: 1550nm	-57: 1570nm	-59: 1590nm
-61: 1610nm		