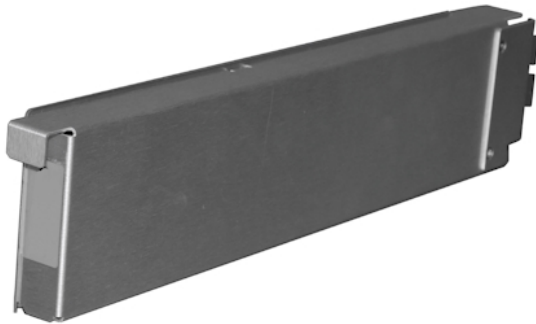


9490-OS • Fiber Optic Passive Splitters for 20-Slot Frames



The **9490-OS** series of passive splitters offer a flexible, cost-effective solution of fiber distribution using our HPF-9000 or OG3-FR 20-slot frames. Similar to a DA, these splitters provide branching of optical signals. Fully passive with low-loss optics, the devices require no frame power or communications for operation.

The 9490-OS models are available in 1x2, 1x4, and 1x8 splitting fan-outs. Fully passive operation helps ensure the utmost in reliability. Each device occupies 2 frame slots.

9490-OS Models

- **9490OS-1X2-LC** Optical 1x2 Splitter (LC connectors)
- **9490OS-D1X2-LC** Dual Optical 1x2 Splitter (LC connectors)
- **9490OS-1X4-LC** Optical 1x4 Splitter (LC connectors)
- **9490OS-D1X4-LC** Dual Optical 1x4 Splitter (LC connectors)
- **9490OS-1X8-LC** Optical 1x8 Splitter (LC connectors)

FEATURES

Modular, scalable design allows easy expansion. Available in several 1x2, 1x4, and 1x8 versions.

Fully passive design using low-loss filters. Requires no frame power or communications.

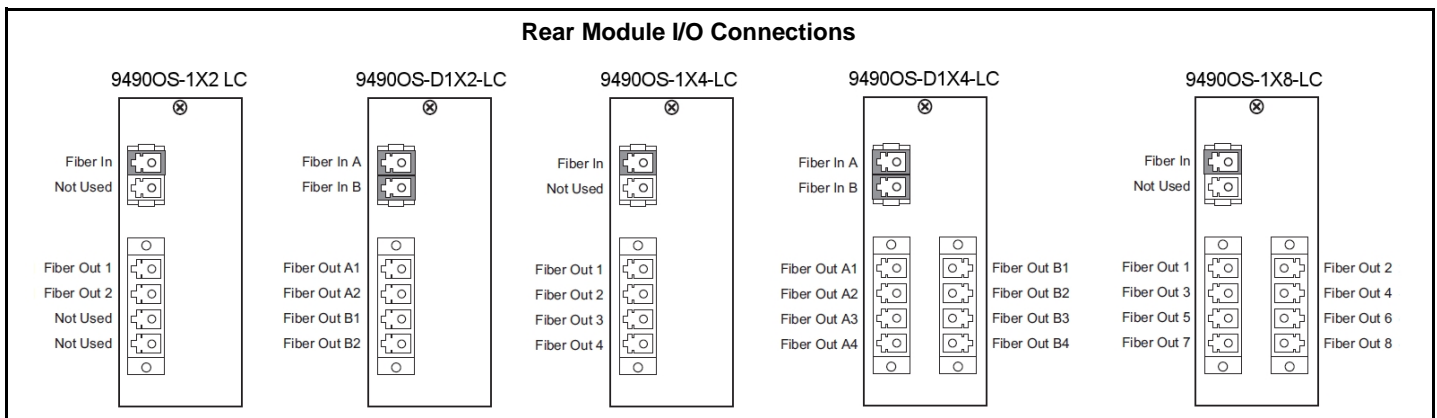
Wavelength agnostic operation - supports 1270nm thru 1620nm signals

Supports single-mode fiber

Fits 20-slot openGear frames using blindmate-connection rear I/O modules

Five year warranty

Rear Module I/O Connections



SPECIFICATIONS

Wavelength Range
1260nm to 1650nm

Return Loss (minimum)
50 dB

Insertion Loss (maximum)
9490OS-1x2, 9490OS-D1x2: 4 dB
9490OS-1x4, 9490OS-D1x4: 8 dB
9490OS-1x8: 11 dB

Uniformity
9490OS-1x2, 9490OS-D1x2: 0.4 dB
9490OS-1x4, 9490OS-D1x4: 0.6 dB
9490OS-1x8: 0.8 dB

Directivity
55 dB

Slots required per device
2

Connector Type
Single Mode, LC/UPC

ORDERING INFORMATION

9490OS-1x2-LC Optical 1x2 Splitter (LC connectors only). Includes type LC connector Rear I/O Module

9490OS-D1x2-LC Dual Optical 1x2 Splitter (LC connectors only). Includes type LC connector Rear I/O Module

9490OS-1x4-LC Optical 1x4 Splitter (LC connectors only). Includes type LC connector Rear I/O Module

9490OS-D1x4-LC Dual Optical 1x4 Splitter (LC connectors only). Includes type LC connector Rear I/O Module

9490OS-1x8-LC Optical 1x8 Splitter (LC connectors only). Includes type LC connector Rear I/O Module