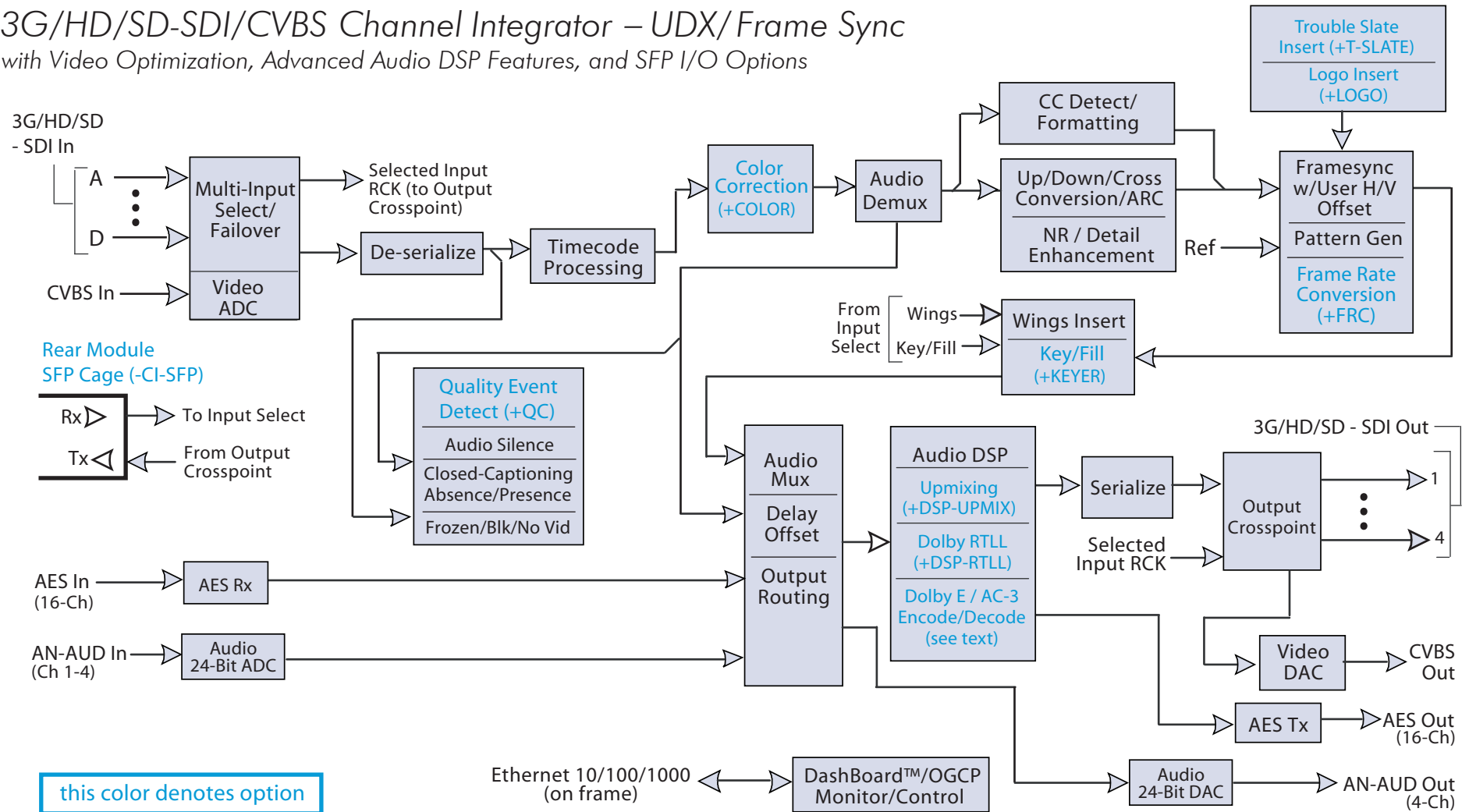


9902-UDX-DSP-CI Block Diagram

3G/HD/SD-SDI/CVBS Channel Integrator – UDX/Frame Sync
with Video Optimization, Advanced Audio DSP Features, and SFP I/O Options



this color denotes option

Note: Option -CI-SFP consumes SDI IN C and SDI OUT 4A.