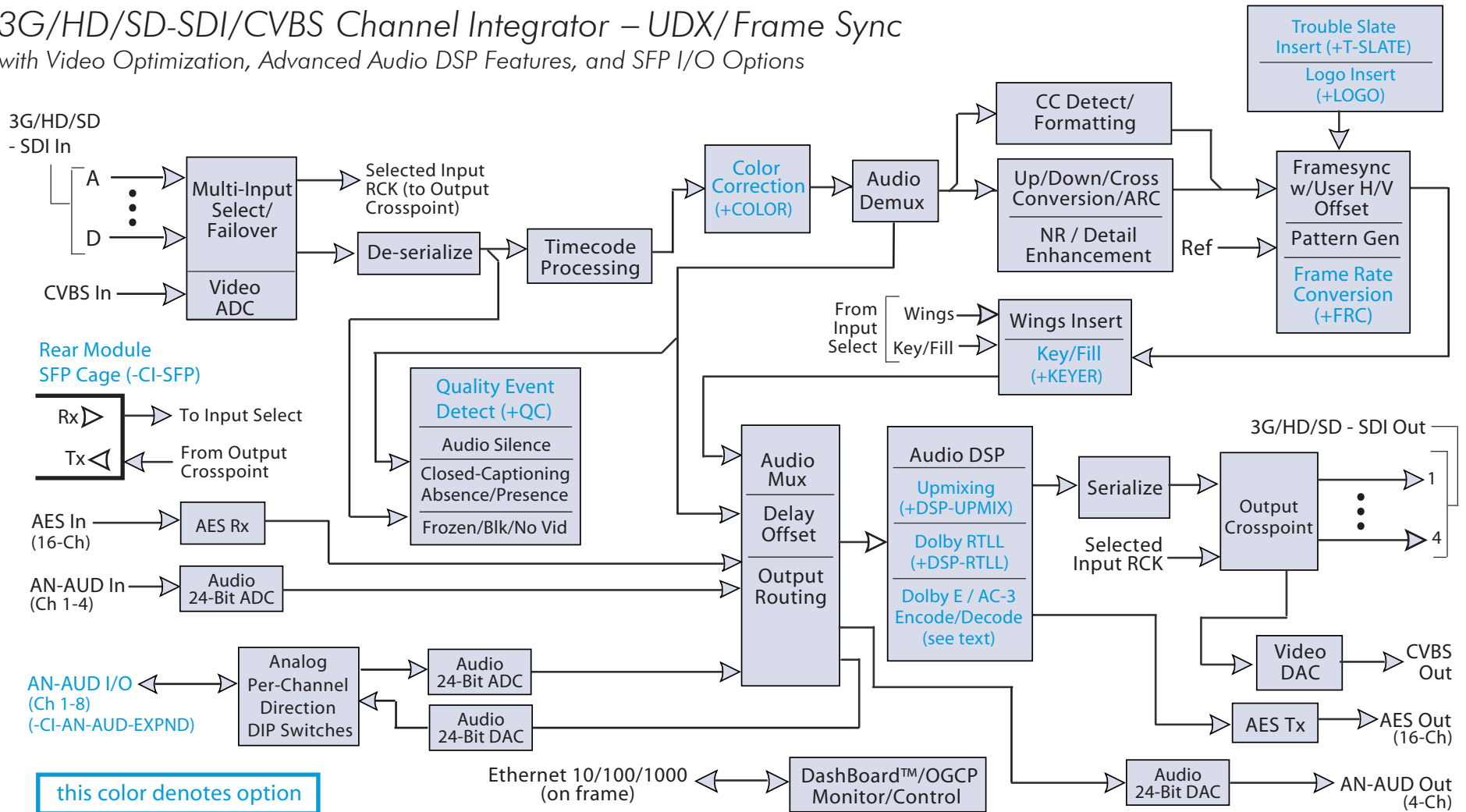


9902-UDX-DSP-CI Block Diagram

3G/HD/SD-SDI/CVBS Channel Integrator – UDX/Frame Sync
with Video Optimization, Advanced Audio DSP Features, and SFP I/O Options



this color denotes option

Note: Option -CI-SFP consumes SDI IN C and SDI OUT 4A.
Option -CI-AN-AUD-EXPND consumes SDI IN D and SDI OUT 4B.
Option -CI-AN-AUD-EXPND adds AN-AUD I/O (Ch 1-8) in addition to base analog channels AN-AUD In (Ch 1-4) and AN-AUD Out (Ch 1-4).

COBALT Cobalt Digital Inc.
2506 Galen Drive
Champaign IL, 61821

217.344.1243
info@cobaltdigital.com
www.cobaltdigital.com