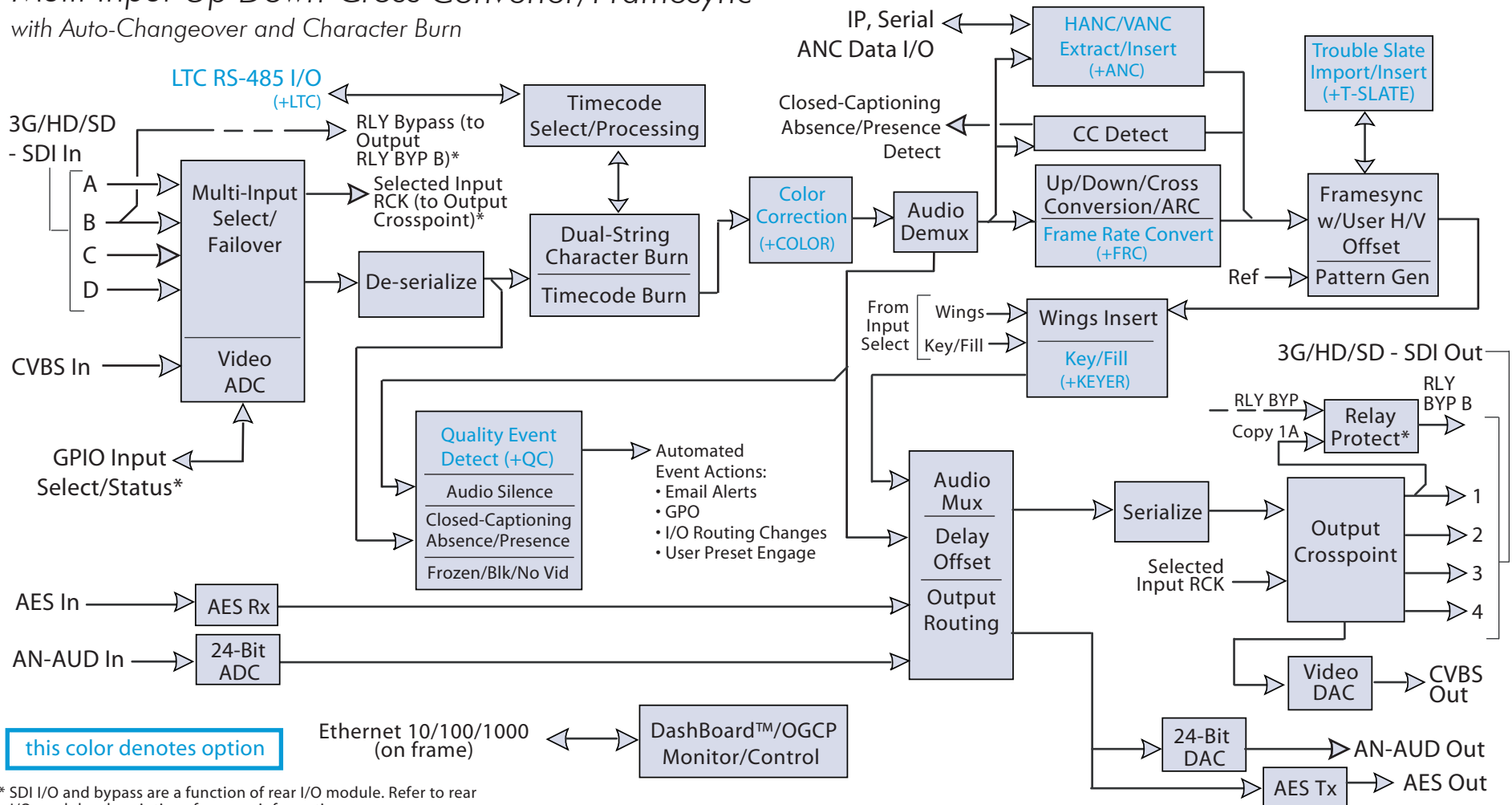


# 9902-UDX Block Diagram

Multi-Input Up-Down-Cross Converter/Framesync  
with Auto-Changeover and Character Burn



\* SDI I/O and bypass are a function of rear I/O module. Refer to rear I/O modules descriptions for more information.  
SDI output RLY BY B outputs copy of SDI Out 1 crosspoint selection in normal operation. In power loss failover, RLY BY B passive outputs SDI In B.

this color denotes option