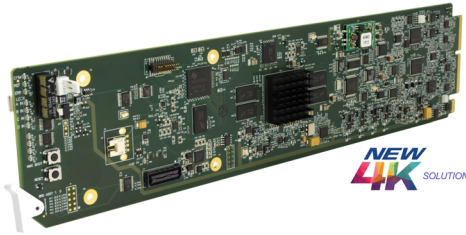


9902-DC-4K • Quad SDI/2SI-Input UHD Broadcast Downconverter with Optional Frame Sync



The **9902-DC-4K Quad SDI/2SI-Input UHD Broadcast Downconverter with Optional Frame Sync** provides an easily integrated openGear® solution for converting 4K UHD quadrant-division and 2SI (two-sample interleave) content into 3G/HD-SDI. Easy to use DashBoard configuration and monitoring provides for easy setup.

The 9902-DC-4K precisely combines four quadrant-divided or 2SI individual SDI feeds into a combined SDI image directly suitable for broadcast production usage or monitoring purposes. An HDMI output is also furnished which is directly usable by a monitor.

The openGear® card-based form-factor and high-density design allows up to 10, 9902-DC-4K cards to be fitted to a 20-slot frame. Full user DashBoard™ or Remote Control Panel remote control allows full status and control access locally or across a standard Ethernet network.

FEATURES

Scalable solution for 4K UHD TV down-conversion/integration to SDI for cinema and sports production

Compatible with 4K Four-Quadrant or 4K Two-Sample Interleaved (2SI) modes

openGear® card-based form factor provides easy, compact, and economical integration

Flexible downconvert output provides 3G/HD/SD-SDI output

HDMI output allows direct feed to monitors

Input crosspoint allows quadrant inputs to be easily re-arranged without changing connections

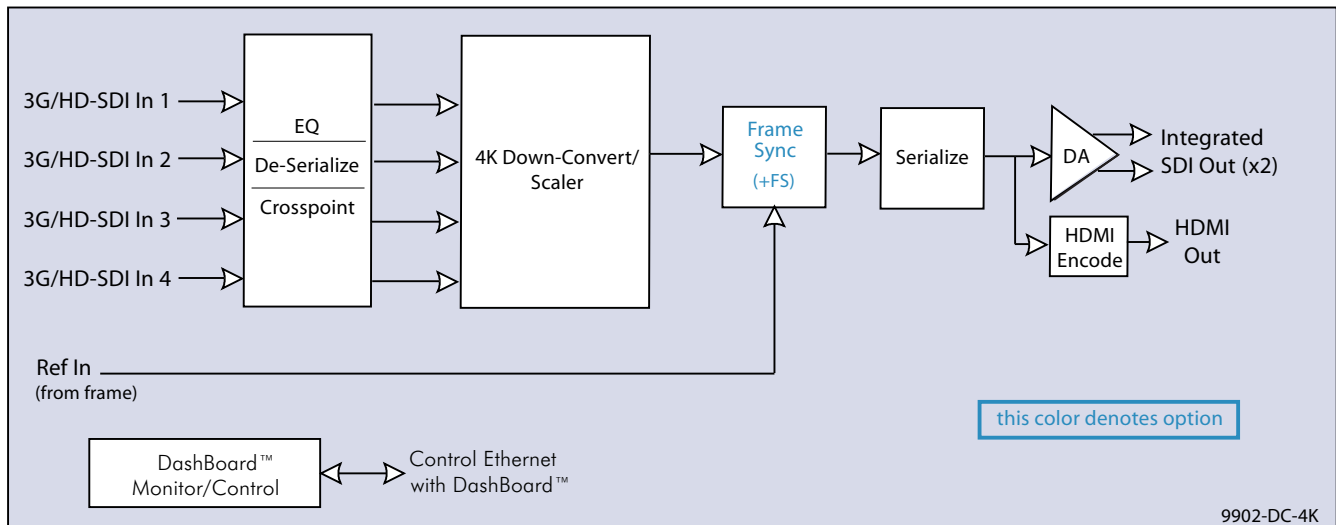
Low-power/high-density design – less than 18 Watts per card

Option **+FS** adds Frame Sync. Provides full vertical and horizontal offset and frame delay controls.

DashBoard™ remote control status monitoring and setup/control

Hot-swappable

Five year warranty



9902-DC-4K • Quad SDI/2SI-Input UHD Broadcast Downconverter with Optional Frame Sync

SPECIFICATIONS

Note: Inputs/outputs are a function in some cases of rear I/O module used.

Power

< 18 Watts

Video Inputs/Outputs

Video Inputs: (4) 3G/HD-SDI 75Ω BNC

SDI Output: (2) 3G/HD-SDI 75Ω BNCs (2x DA)

HDMI Output: (1) HDMI output

Formats Supported: SMPTE 259M, SMPTE 292M, SMPTE 424M

Receive Cable Length: 3G/HD/SD: 120/180/320 m (Belden 1694A)

Return Loss: >15 dB up to 1.485 GHz; >10 dB up to 2.970 GHz

Alignment Jitter: 3G/HD/SD: < 0.3/0.2/0.2 UI

ORDERING INFORMATION

9902-DC-4K Quad SDI/2SI-Input UHD Broadcast Downconverter with Optional Frame Sync

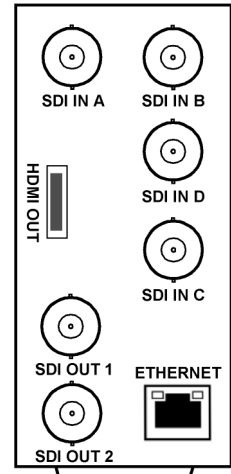
RM20-9902DC4K-B 20-Slot Frame Rear I/O Module (Standard Width) (4) 3G/HD/SD-SDI Input BNCs, (2) 3G-SDI Output BNCs (2x DA), (1) HDMI Output, (1) 100/1000 BaseT Ethernet Control Port

RM20-9902DC4K-C 20-Slot Frame Rear I/O Module (Standard Width) (4) 3G/HD/SD-SDI Input BNCs, (2) 3G-SDI Output BNCs (2x DA), (1) COMM/GPIO Port, (1) 100/1000 BaseT Ethernet Control Port

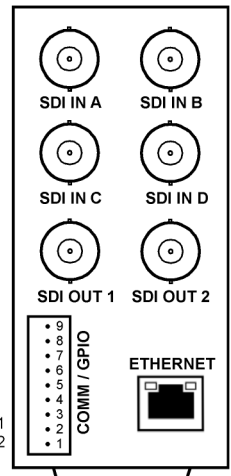
Options:

+FS Add Frame Sync Option

+LTC Audio LTC I/O Option



RM20-9902DC4K-B



- 9 - UARTA TX
- 8 - UARTA RX
- 7 - GND
- 6 - GPI IN1
- 5 - GPI IN 2
- 4 - GND
- 3 - GPO OUT 1
- 2 - GPO OUT 2
- 1 - GPO RTN

RM20-9902DC4K-C