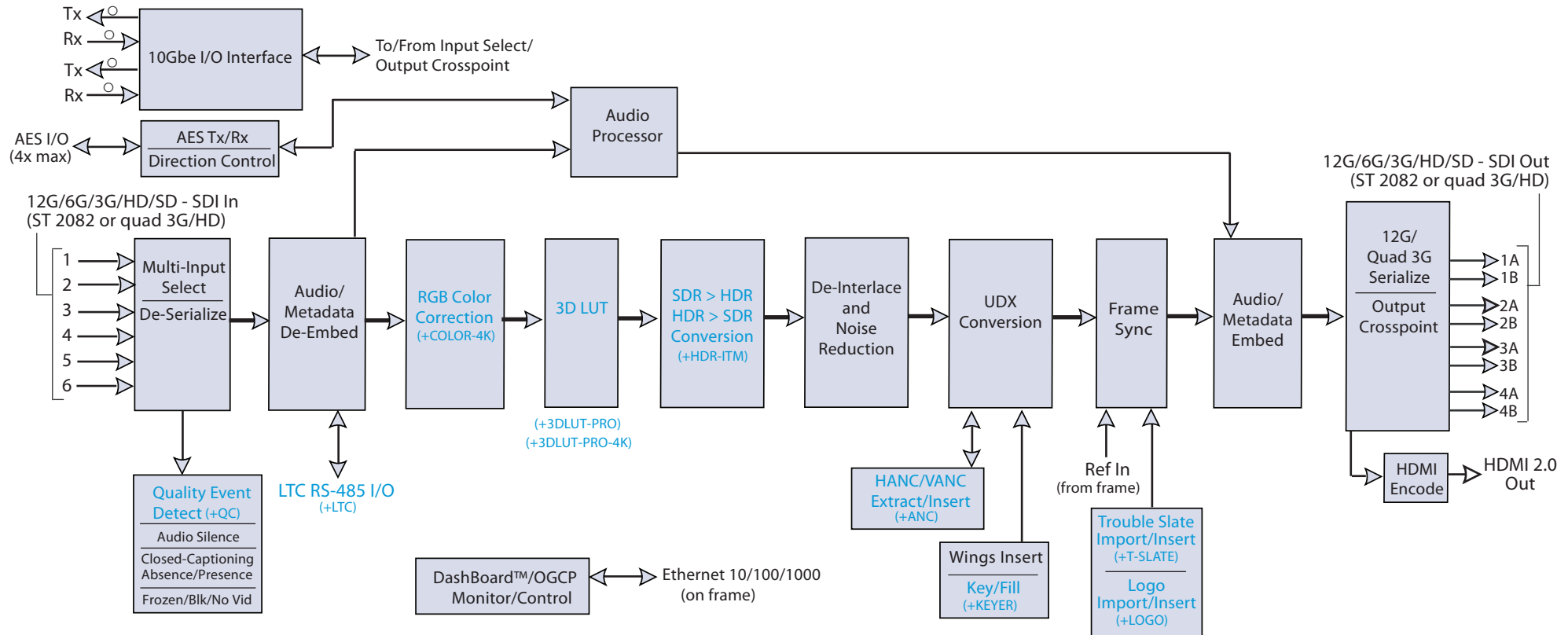


9904-UDX-4K-IP Block Diagram

12G/6G/3G/HD/SD Up/Down/Cross Converter/Frame Sync/Embed/De-Embedded Audio Processor with Dual 10GigE I/O Ports



this color denotes option