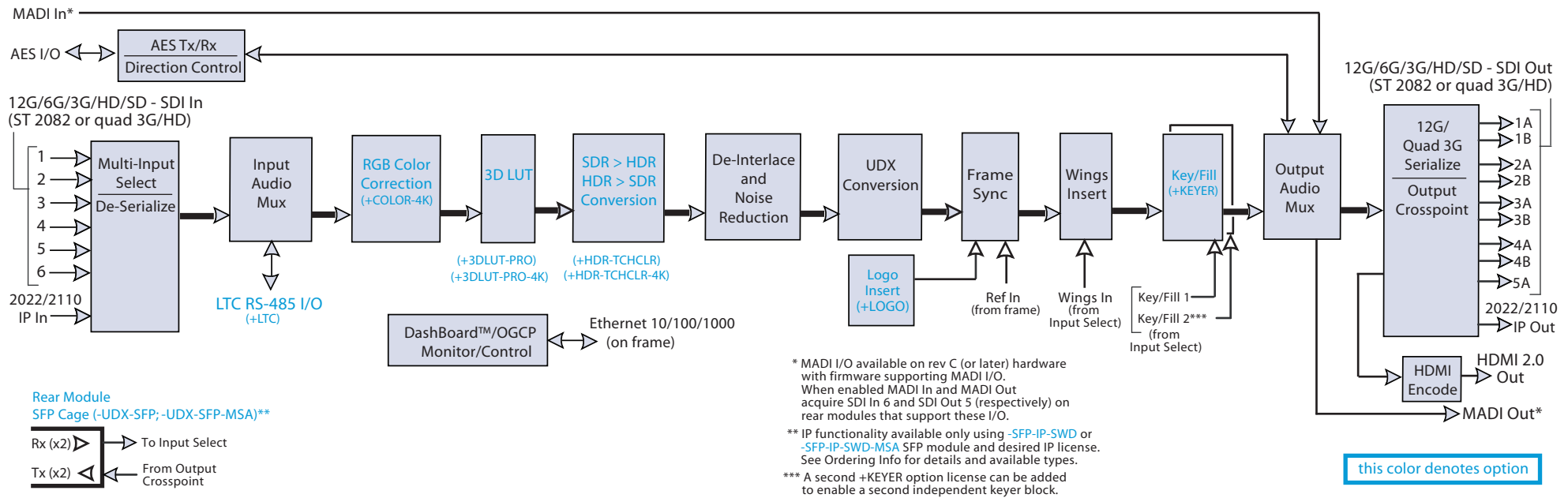


9904-UDX-4K-IP Block Diagram

12G/6G/3G/HD/SD Up/Down/Cross Converter/Frame Sync/Embed/De-Embedded Audio Processor with Dual 10GigE I/O Ports



* MADI I/O available on rev C (or later) hardware with firmware supporting MADI I/O. When enabled MADI In and MADI Out acquire SDI In 6 and SDI Out 5 (respectively) on rear modules that support these I/O.

** IP functionality available only using -SFP-IP-SWD or -SFP-IP-SWD-MSA SFP module and desired IP license. See Ordering Info for details and available types.

*** A second +KEYER option license can be added to enable a second independent keyer block.

this color denotes option