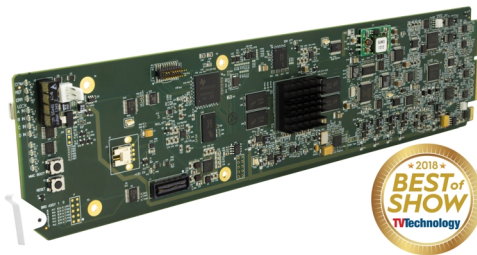


9904-UDX-4K-IP • 12G/6G/3G/HD/SD UHD Up/Down/Cross Converter/Frame Sync with Dual 10GigE IP Ports



The Cobalt® 9904-UDX-4K-IP 12G/6G/3G/HD/SD UHD Up/Down/Cross Converter/Frame Sync with Dual 10GigE IP Ports is Cobalt's next generation of advanced scaler/frame synchronizers for the openGear® platform.

The 9904-UDX-4K-IP upconverts 12G/6G/3G/HD/SD to either UHD1 3840x2160 Square Division Multiplex (SDM) or Two-Sample Interleave (2SI) quad 3G-SDI based formats, or can output ST 2082 12G-SDI for single-wire 4K transport. With both 12G-SDI and quad 3G-SDI inputs, the 9904-UDX-4K can downconvert 12G and quad UHD. The 9904-UDX-4K provides an HDMI 2.0 output for economical 4K video monitoring. The 9904-UDX-4K offers numerous options, including SDR-to-HDR conversion and color correction.

The 9904-UDX-4K-IP provides dual 10GigE ports providing support for the emerging uncompressed video/audio/data over IP standards.

The high-density openGear® design allows for up to five 9904-UDX-4K-IP cards to be installed in one 2RU openGear® frame. Card control/monitoring is available via DashBoard user interface, integrated HTML5 web interface, SNMP, or Cobalt's RESTful-based Reflex protocol.



FEATURES

High-density openGear comprehensive UHD UDX solution

Full up/down conversion between HD/3G, ST 2082 12G-SDI single-wire, and SDQS/2SI quad 3G-SDI based formats, with ST 2082 12G-SDI single-wire and quad 3G UHD available at both input and output

Supports Square Division Multiplex (SDM) and Two-Sample Interleave (2SI) quad UHD formats

12G-SDI and quad 3G frame sync and user delay

Supports SNMP and Cobalt's Reflex (JSON) Protocols

Noise Reduction and Detail Enhancement provide image quality optimization

Remote control/monitoring via Dashboard™ software, OGCP-9000 remote control panels, integrated HTML5 web interface, SNMP, or Cobalt's RESTful-based Reflex protocol

Five year warranty

OPTIONS

4K SDR/HDR Conversion Option (+HDR-ITM-4K) – Provides sophisticated and comprehensive (yet easy to use) Technicolor® Intelligent Tone Management™ SDR-to-HDR conversion. Provides basic one-button Basic modes, as well as full-parameter expert modes.

3D LUT Options (+3DLUT-PRO, +3DLUT-PRO-4K) – 3D LUT (Lookup Table) options provide 33 cube LUT mapping between 10-bit RGB and HDR color spaces. (See Ordering Information for full details.)

Color Correction (+COLOR-4K) – Full RGB color corrector (offset, gain, gamma) with extended YCbCr proc controls with white clip, black hard clip, and saturation clip

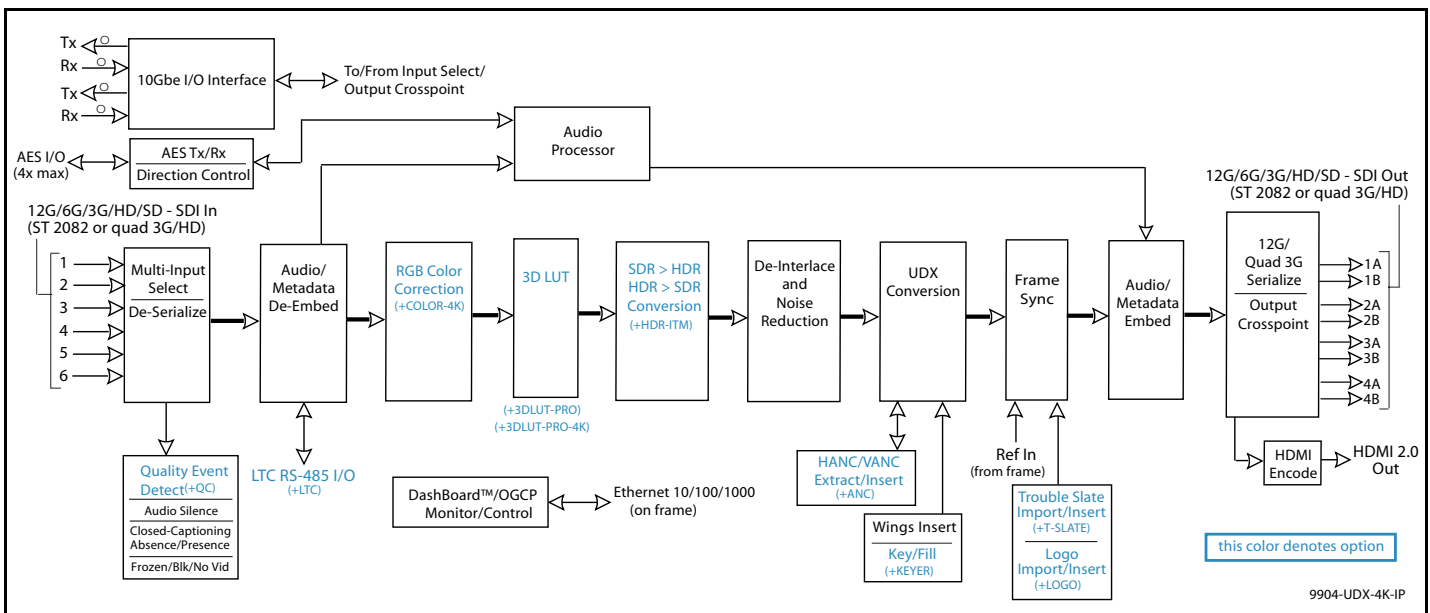
Key/Fill Keyer Option (+KEYER)

Trouble Slate Option (+T-SLATE) allows uploading of up to three different user trouble slate graphic file to card, with automated insertion controlled by screened user-selectable events (such as LOS or frozen/black frame)

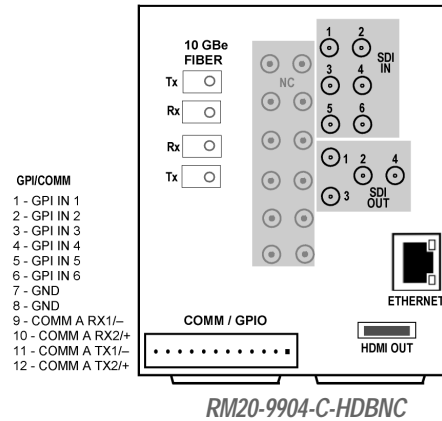
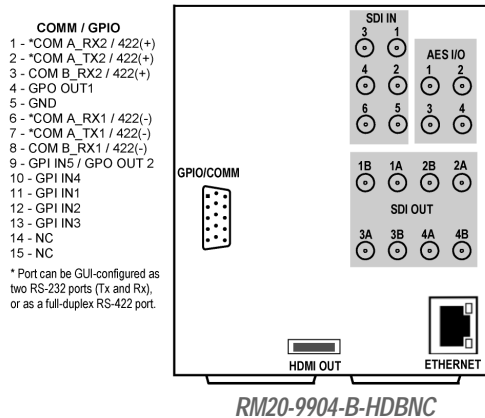
Logo Insertion Option (+LOGO) – Allows uploading of user logo graphic file to card, with automated insertion controlled by GPI or other events.

Audio LTC I/O Option (+LTC)

Quality Check Option (+QC) – Provides failover, alert, or user presets action on criteria such as black/frozen frame, audio silence, and CC absence.



9904-UDX-4K-IP • 12G/6G/3G/HD/SD UHD Up/Down/Cross Converter/Frame Sync with Dual 10GigE IP Ports



SPECIFICATIONS

12G/6G/3G/HD/SD-SDI Input/Outputs

(6) 75Ω inputs (max)

(8) 75Ω outputs (max)

SDI Formats Supported: SMPTE ST2082-1,10, 424M, 292M, SMPTE 259M-C. All inputs/outputs 12G compliant and SDQS/2SI quad 3G compliant.

Return Loss:

> 15 dB up to 1.485 GHz

> 10 dB up to 3 GHz

> 7 dB up to 6 GHz

> 5 dB up to 12 GHz

Input Cable Length:

60m Belden 1694A cable at 11.88 Gbps

120m Belden 1694A cable at 2.97 Gbps

240m Belden 1694A cable at 1.485 Gbps

400m Belden 1694A cable at 270 Mbps

Output Signal Level: 800 mV ± 10%

DC Offset: 0 V ± 50 mV

Rise and Fall Time @ 11.88 Gbps: < 45 ps

Alignment Jitter (12G/3G/HD/SD): < 0.3/0.3/0.2/0.2 UI

Frame Sync Audio/Video Delay

Max offset: 20 frames

Latency (min): 1 frame

User Audio Delay Offset from Video

Bulk delay control: -33 msec to +3000 msec.

Per-channel delay controls: -800 msec to +800 msec

HDMI Output

HDMI 2.0 Output; type A standard connector

IP ST 2022-6 Interface

(2) 10GigE multi-mode optical Tx/Rx interface; female LC duplex connectors

Frame Reference Input

(2) reference from frame bus. SMPTE 170M/318M "Black Burst", SMPTE 274M/296M "Tri-Level"

9904-UDX-4K-IP • 12G/6G/3G/HD/SD UHD Up/Down/Cross Converter/Frame Sync with Dual 10GigE IP Ports

ORDERING INFORMATION

9904-UDX-4K-IP 12G/6G/3G/HD/SD UHD Up/Down/Cross Converter/Frame Sync with Dual 10GigE IP Ports

RM20-9904-B-HDBNC 20-Slot Frame Rear I/O Module (Double-Width) (6) 12G/6G/3G/HD/SD/SD-SDI Inputs, (8) 12G/6G/3G/HD/SD/SD-SDI Processed Outputs, (4) AES I/O (User Selectable), GPIO/COMM (HD-15 connector), HDMI 2.0 Output (type A standard connector), 100/1000 BaseT Ethernet Port (All coaxial connectors HD-BNC.)

RM20-9904-C-HDBNC 20-Slot Frame Rear I/O Module (Double-Width) (6) 12G/6G/3G/HD/SD/SD-SDI Inputs, (4) 12G/6G/3G/HD/SD/SD-SDI Processed Outputs, GPIO/COMM, HDMI 2.0 Output (type A standard connector), (2) 10GigE fiber Tx/Rx; LC female connectors, 100/1000 BaseT Ethernet Port (All coaxial connectors HD-BNC.)

Options:

+HDR-ITM-4K 4K SDR/HDR Conversion Option

+COLOR-4K 4K Color Correction Option

+3DLUT-PRO-4K 3D LUT 4K Option (compatible with up-mapping to HDR and processing for down-conversions to HD SDR color space)

+3DLUT-PRO 3D LUT Option (compatible with processing for down-conversions to HD SDR color space)

+QC Quality Check Option

+LTC Audio LTC I/O Option

+T-SLATE User Trouble Slate Graphic Import Option

+LOGO Logo Insertion Option

+KEYER Key/Fill Keyer Option