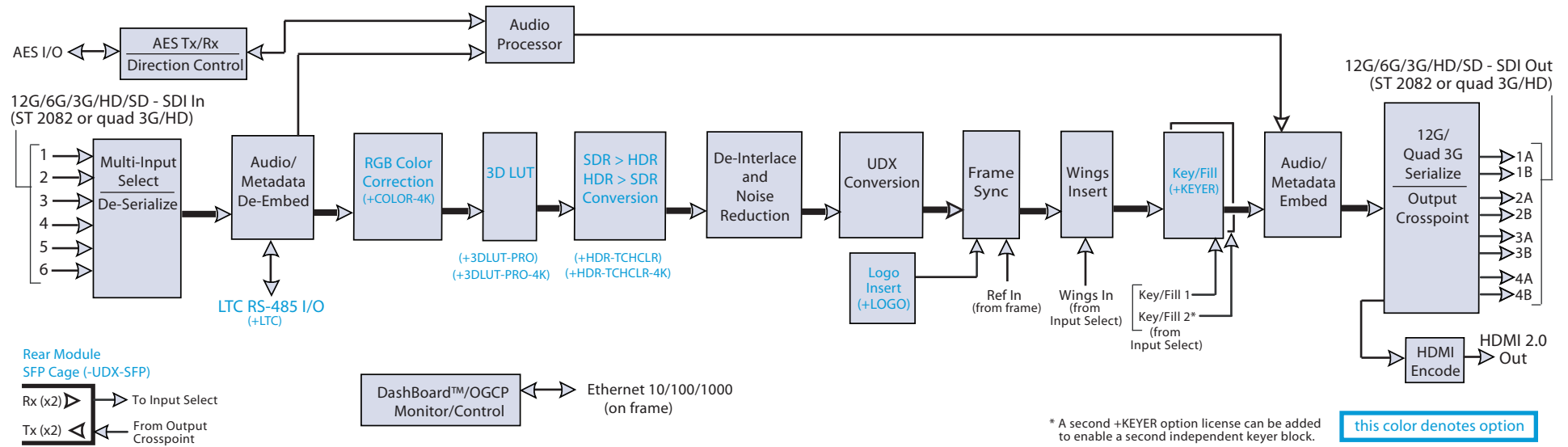


9904-UDX-4K Block Diagram

12G/6G/3G/HD/SD Up/Down/Cross Converter/Frame Sync/Embed/De-Embedded Audio Processor



* A second +KEYER option license can be added to enable a second independent keyer block.

this color denotes option