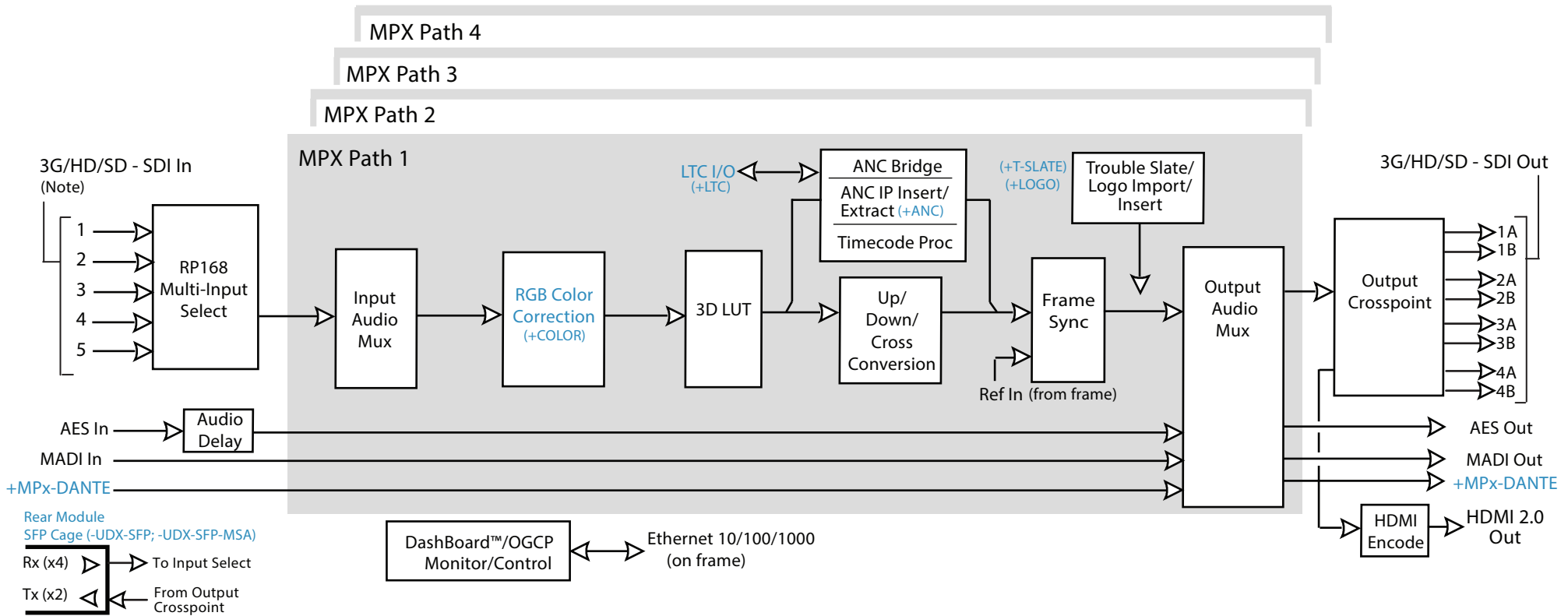


9905-MPx Block Diagram

3G/HD/SD Quad-Path Up/Down/Cross Converter/Frame Sync/Embed/De-Embedded Audio Processor



Note: Inputs can be selected from up to 5 discrete SDI inputs. Multiple simultaneous path processing is available with MPX Paths 2 thru 4 offering same features/functions as shown for MPX Path 1.

Note: Max fiber connectivity limited to combination of Rx and Tx fiber ports used/available.

this color denotes option

9905-MPx