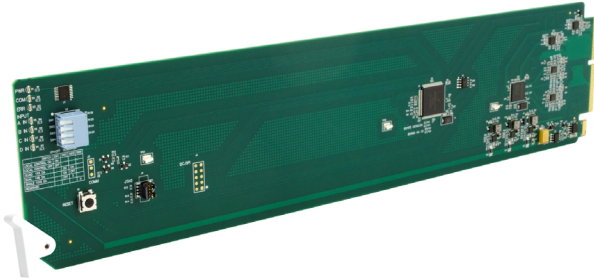


9910DA-1Q-3G-RCK • 3G/HD/SD/ASI Single-Channel Multi-Rate Reclocking DA



The Cobalt® **9910DA-1Q-3G 3G/HD/SD/ASI Single-Channel Multi-Rate DA (Non-Reclocking)** supports one input channel which can be distributed to up to 16 DA outputs. The 9910DA-1Q-3G is multi-rate and supports SDI and ASI/DVB on all inputs and outputs with non-inverting outputs.

Excellent receive performance allows receive EQ for up to 120m 3G and 160m HD cable length (1694A). Card edge and DashBoard™ remote status monitoring indicates input lock. Up to 10 of the 9910DA-1Q-3G cards can be installed in a frame to provide distribution of up to 160 outputs.

Full user DashBoard™ or Remote Control Panel remote control allows full status and control access locally or across a standard Ethernet network.

FEATURES

Full support of 3G/HD/SD-SDI and ASI/DVB

Supports all popular formats: 480i, 576i, 720p, 1080i, 1080pSF, 1080p

Excellent receive performance - EQ allows 1694A cable lengths up to 120m (3G) / 160m (HD) / 400m (SD)

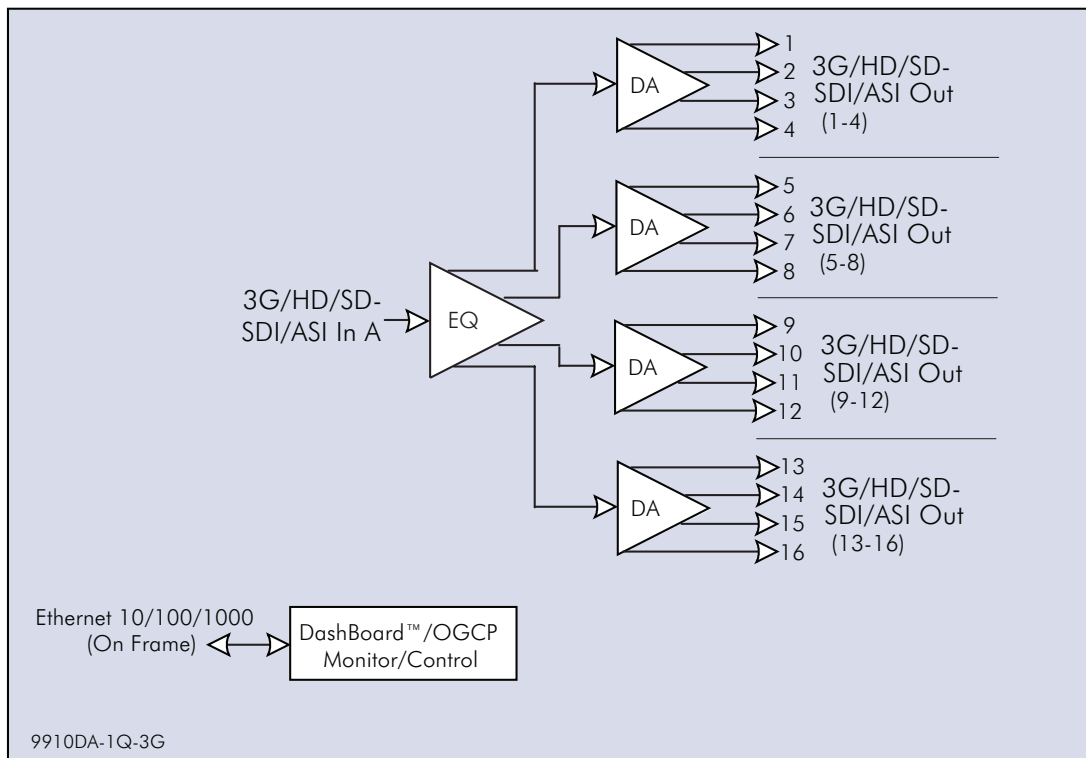
Input data rate auto-detection for all industry-standard data rates

Card edge and DashBoard™ status and individual input lock indicators

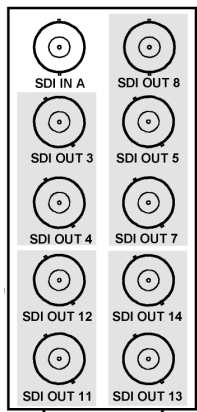
All outputs are non-inverting - ASI can be outputted on any output

Hot-swappable

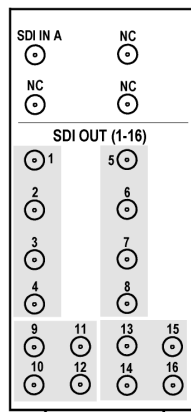
Five year warranty



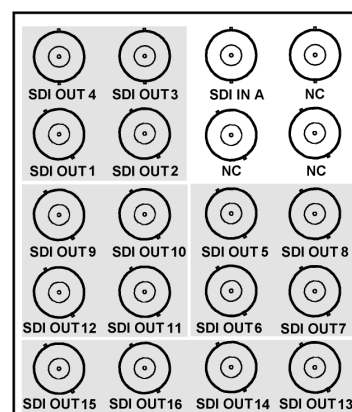
9910DA-1Q-3G-RCK • 3G/HD/SD/ASI Single-Channel Multi-Rate Reclocking DA



RM20-9910-1Q-D



RM20-9910-1Q-B-DIN
RM20-9910-1Q-B-HDBNC



RM20-9910-1Q-E

SPECIFICATIONS

Note: Inputs/outputs are a function in some cases of rear I/O module used.

Power

< 3 Watts

3G/HD/SD-SDI / ASI Inputs

(1) 75Ω coaxial inputs (A)
SDI Formats Supported: SMPTE 259M, SMPTE 292M, SMPTE 424M
SDI Return Loss: >15 dB up to 1.485 GHz; >10 dB up to 2.970 GHz

Receive Performance (Cable Length; Belden 1694A)

3 Gbps: 120m
1.485 Gbps: 160m
143-360 Mbps: 400m

3G/HD/SD-SDI / ASI Outputs

75Ω coaxial outputs (16 total).
Signal Level: 800 mV nominal
Return Loss: >15 dB at 5 MHz - 1.485 GHz
Jitter (wideband): HD < 0.2 UI

ORDERING INFORMATION

9910DA-1Q-3G 3G/HD/SD/ASI Single-Channel Multi-Rate DA (Non-Reclocking)

RM20-9910-1Q-A 20-Slot Frame Rear I/O Module (Standard Width) (1) 3G/HD/SD-SDI/ASI Input BNC, (8) 3G/HD/SD-SDI/ASI Output BNCs

RM20-9910-1Q-B-DIN 20-Slot Frame Rear I/O Module (Standard Width) (1) 3G/HD/SD-SDI/ASI Inputs, (16) 3G/HD/SD-SDI/ASI Outputs (DIN 1.0/2.3) (High Density)

RM20-9910-1Q-B-HDBNC 20-Slot Frame Rear I/O Module (Standard Width) (1) 3G/HD/SD-SDI/ASI Inputs, (16) 3G/HD/SD-SDI/ASI Outputs (HDBNC) (High Density)

RM20-9910-1Q-E 20-Slot Frame Rear I/O Module (Double Width) (1) 3G/HD/SD-SDI/ASI Input BNC, (16) 3G/HD/SD-SDI/ASI Output BNCs