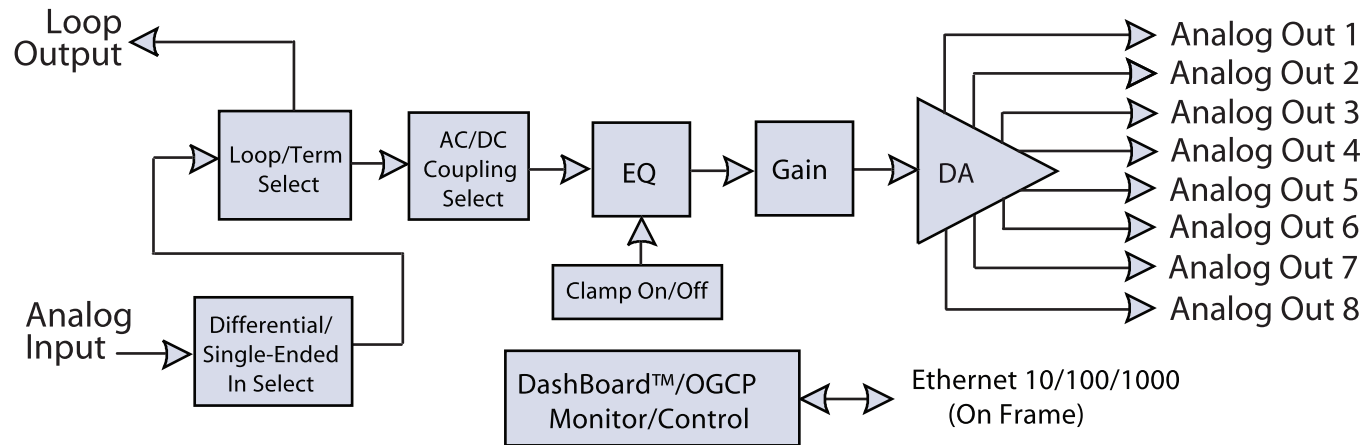


9910DA-AV-EQ Block Diagram

Analog Video Distribution Amplifier with EQ



COBALT Cobalt Digital Inc.
2506 Galen Drive
Champaign IL, 61821

217.344.1243
info@cobaltdigital.com
www.cobaltdigital.com