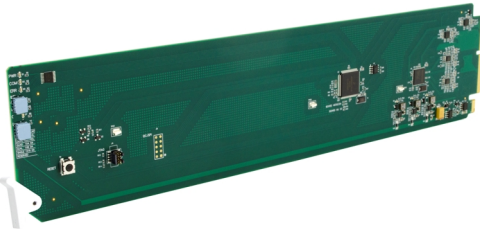


9910DA-AV • Analog Video Distribution Amplifier



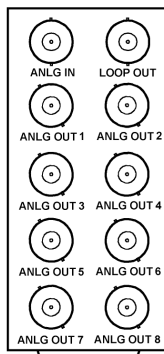
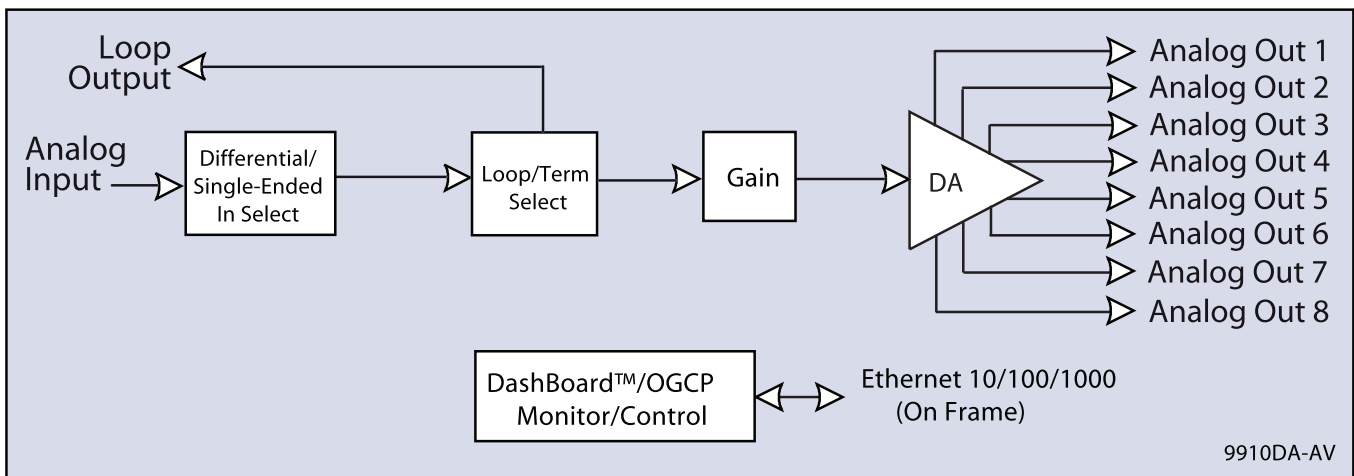
The Cobalt® **9910DA-AV Analog Video Distribution Amplifier** provides 1x8 distribution with one analog input and eight 75Ω analog outputs. Card jumpers allow setting the input as differential (floating ground) or single-ended, and Hi-Z looping input or on-card 75Ω terminated. A trim control located on the front of the card allows gain control. The card can be accessed using DashBoard™ remote control for status monitoring. Status monitoring shows the video format of the input signal.

FEATURES

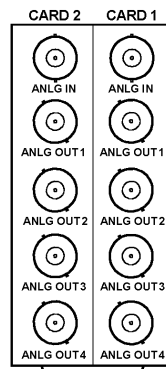
Multi-mode input provides differential or single-ended input and hi-Z looping or card-terminated operation

Five year warranty

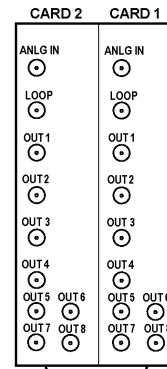
Remote monitoring via DashBoard™ software or OGCP-9000 Remote Control Panel. Card Status display shows presence and video format (e.g., 525i, 720p, 1080i) of input signal.



RM20-9910AV-B



RM20-9910AV-AIS



RM20-9910AV-BS-DIN
RM20-9910AV-BS-DIN



9910DA-AV • Analog Video Distribution Amplifier**SPECIFICATIONS**

Note: Inputs/outputs are a function in some cases of rear I/O module used.

Power

2 Watts

Analog Video Input

Number of inputs: (1)

(Compatible with any NTSC or PAL black-burst or tri-level analog video format.)

Impedance: User selectable as hi-Z looping or card-terminated 75Ω

Level: 1 Vp-p, nominal

Return Loss: 46 dB @ 3.58 MHz

Input modes: User selectable as differential/single-ended and AC or DC coupled

Analog Video Outputs

Number of DA outputs: up to (8)

Impedance: 75Ω

Level: 1 Vp-p, nominal

Looping Output: (1)

Performance

Frequency response: >0.05 dB @ 3.58 MHz

Differential Gain: >0.15% @ 3.58 MHz

Differential Phase: >0.15° @ 3.58 MHz

S/N: >60 dB; 5 MHz BW

ORDERING INFORMATION

9910DA-AV Analog Video Distribution Amplifier

RM20-9910AV-B 20-Slot Frame Rear I/O Module (Standard Width) (1) Analog Video Input BNC, (8) Analog DA Output BNCs, (1) Input Loop Output BNC

RM20-9910AV-A/S 20-Slot Frame Rear I/O Module (Split; supports 2 cards) (1) Analog Video Input BNC, (4) Analog DA Output BNCs (connections are per card)

RM20-9910AV-B/S-DIN 20-Slot Frame Rear I/O Module (Split; supports 2 cards) (1) Analog Video Input, (8) Analog DA Outputs, (1) Input Loop Output (connections are per card; all connectors are DIN 1.0/2.3)

RM20-9910AV-B/S-HDBNC 20-Slot Frame Rear I/O Module (Split; supports 2 cards) (1) Analog Video Input, (8) Analog DA Outputs, (1) Input Loop Output (connections are per card; all connectors are HD-BNC)