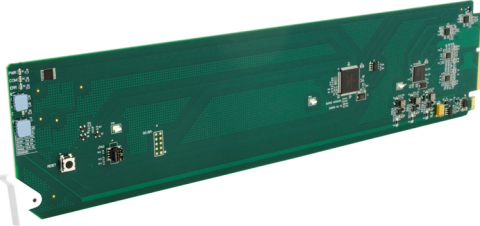


9910DA-WC • Audio Word Clock Distribution Amplifier



The Cobalt® 9910DA-WC Audio Word Clock Distribution Amplifier provides 1x8 distribution with one word clock input and eight 75Ω word clock outputs. Card jumpers allow setting the input as Hi-Z looping input or on-card 75Ω terminated. The card can be accessed using Dashboard™ remote control for status monitoring.

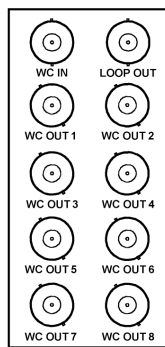
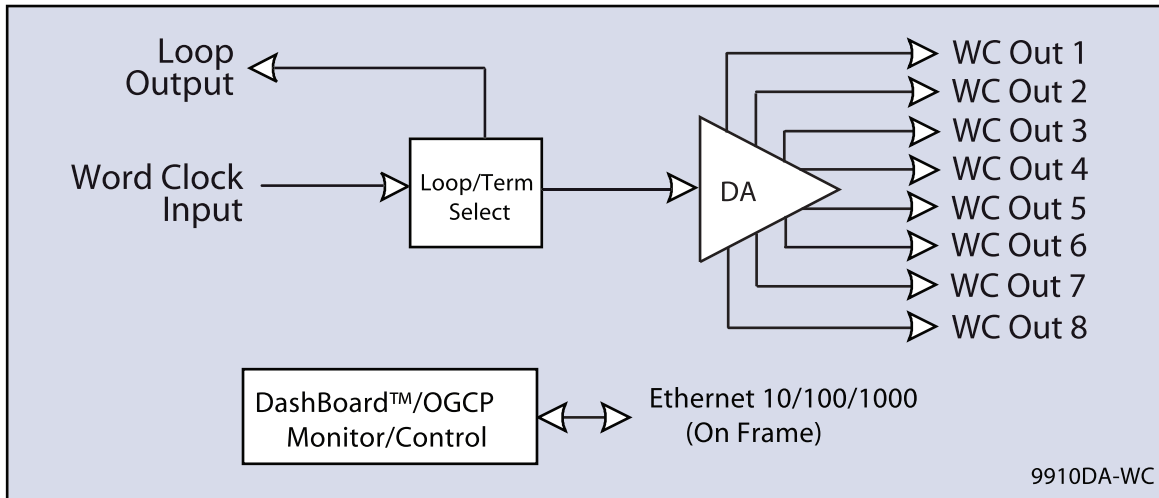
FEATURES

Multi-mode input provides hi-Z looping or card-terminated operation

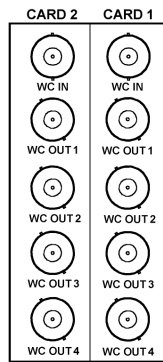
Hot-swappable

Remote control/monitoring via Dashboard™ software or OGCP-9000 remote control panels

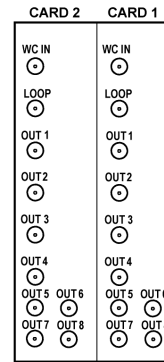
Five year warranty



RM20-9910WC-B



RM20-9910WC-AIS



RM20-9910WC-BS-DIN
RM20-9910WC-BS-DIN



9910DA-WC • Audio Word Clock Distribution Amplifier**SPECIFICATIONS**

Note: Inputs/outputs are a function in some cases of rear I/O module used.

Power

2 Watts

Word Clock Input

Number of inputs: (1)

Impedance: User selectable as hi-Z looping or card-terminated 75Ω

Sensitivity: 200 mV

Word Clock Outputs

Number of DA outputs: up to (8)

Impedance: 75Ω

Level: 10 Vp-p square wave (unterminated), 5 Vp-p square wave (terminated into 75Ω)

Looping Output: (1)

ORDERING INFORMATION

9910DA-WC Audio Word Clock Distribution Amplifier

RM20-9910WC-B 20-Slot Frame Rear I/O Module (Standard Width) (1) Word Clock Input BNC, (8) Word Clock DA Output BNCs, (1) Input Loop Output BNC

RM20-9910WC-A/S 20-Slot Frame Rear I/O Module (Split; supports 2 cards) (1) Word Clock Input BNC, (4) Word Clock DA Output BNCs (connections are per each Card 1 / Card 2 connector bank)

RM20-9910WC-B/S-DIN 20-Slot Frame Rear I/O Module (Split; supports 2 cards) (1) Word Clock Input, (8) Word Clock DA Outputs, (1) Input Loop Output (connections are per each Card 1 / Card 2 connector bank; all connectors are DIN 1.0/2.3)

RM20-9910WC-B/S-HDBNC 20-Slot Frame Rear I/O Module (Split; supports 2 cards) (1) Word Clock Input, (8) Word Clock DA Outputs, (1) Input Loop Output ((connections are per each Card 1 / Card 2 connector bank; all connectors are HD-BNC)