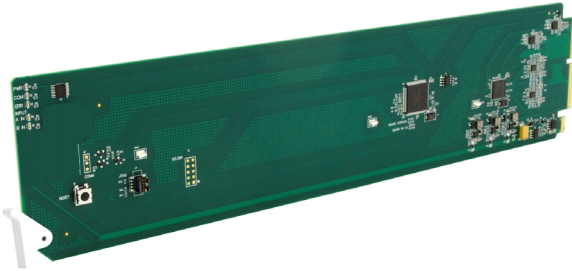


9911DA-8-BPX • Dual-Input 3G/HD/SD-SDI / ASI 1x8 Distribution Amplifier and Bypass Protection Switch with Passive Relay Protected Output



The Cobalt® 9911DA-8-BPX Dual-Input 3G/HD/SD-SDI / ASI 1x8 Distribution Amplifier and Bypass Protection Switch with Passive Relay Protected Output provides 1x8 distribution of 3G/HD/SD-SDI and ASI signals with a passive relay path to provide a failover output in case of loss of power. All outputs are non-inverting and usable for ASI. Either of two inputs can be routed to the eight card DA outputs. Inputs are equalized and reclocked.

A Primary input is power-loss relay protected. A Backup secondary input can feed the DA outputs should signal absence be detected on the primary input. SNMP support can propagate notice if secondary input failover has been invoked.

Excellent receive performance allows receive EQ for up to 120m 3G and 160m HD cable length (1694A). Card edge and DashBoard™ remote status monitoring indicates input lock for each input channel. Up to 10 of the 9911DA-8-BPX cards can be installed in a frame.

Full user DashBoard™ or Remote Control Panel remote control allows full status and control access locally or across a standard Ethernet network.

FEATURES

3G/HD/SD-SDI and ASI compatible on all inputs and outputs

Simple relay routing signal path maintains full signal integrity. Rear-module located bypass relay maintains signal path even if card/power is lost.

Failsafe mode automatically switches to Backup secondary input on loss of primary input

Excellent receive performance - EQ allows 1694A cable lengths up to 120m (3G) / 160m (HD) / 400m (SD)

Excellent receive performance - EQ allows 1694A cable lengths up to 120m (3G) / 160m (HD) / 400m (SD)

SNMP support propagates notice if secondary input failover has been invoked.

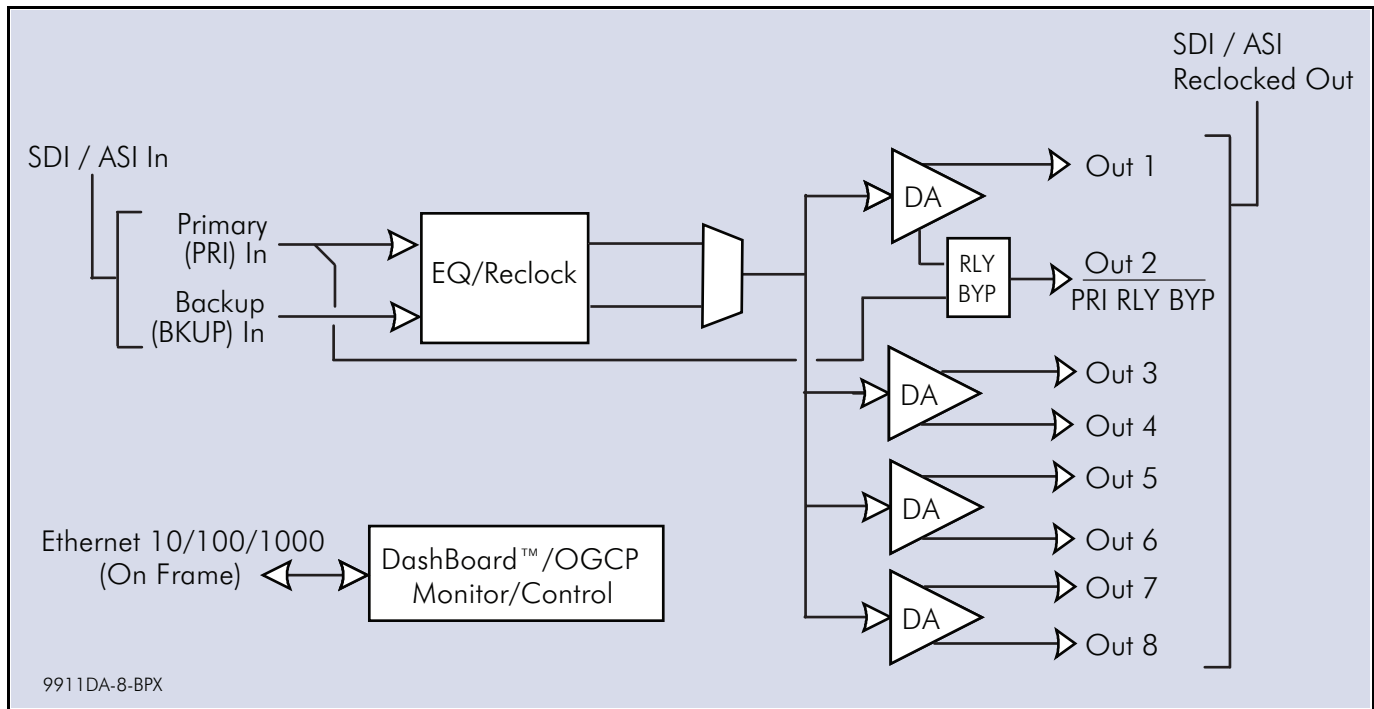
All outputs are non-inverting - ASI can be outputted on any output

Input data rate auto-detection for all industry-standard data rates

Card edge and DashBoard™ status and individual input lock indicators

Hot-swappable

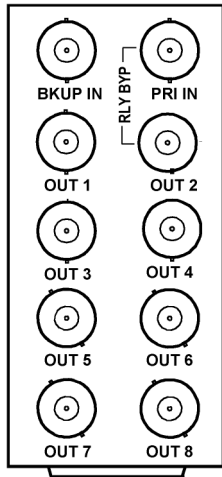
Five year warranty



9911DA-8-BPX



9911DA-8-BPX • Dual-Input 3G/HD/SD-SDI / ASI 1x8 Distribution Amplifier and Bypass Protection Switch with Passive Relay Protected Output



PRI IN is DA Primary input, and is card loss-of-power relay protected.
BKUP IN is DA Backup (secondary) input, and can be source to DA inputs upon signal loss on PRI IN input.

RM20-9911DA-A

SPECIFICATIONS

Power

<6 Watts

3G/HD/SD-SDI / ASI Inputs

Number of inputs: 2
 Impedance: 75Ω
 SDI Formats Supported: SMPTE 259M, SMPTE 292M, SMPTE 424M
 SDI Return Loss: >15 dB up to 1.485 GHz; >10 dB up to 2.970 GHz

Receive Performance (Cable Length; Belden 1694A)

3 Gbps: 120m
 1.485 Gbps: 160m
 143-360 Mbps: 400m

3G/HD/SD-SDI / ASI Outputs

Number of DA outputs: 8
 213Mbit/s maximum ASI TS bit-rate per port
 Impedance: 75Ω

ORDERING INFORMATION

9911DA-8-BPX Dual-Input 3G/HD/SD-SDI / ASI 1x8 Distribution Amplifier and Bypass Protection Switch with Passive Relay Protected Output

RM20-9911DA-A 20-Slot Frame Rear I/O Module (Standard Width) (2) 3G/HD/SD-SDI / ASI Input BNCs, (8) 3G/HD/SD-SDI / ASI Output BNCs.
 Relay bypass for PRI IN - OUT 2 path.