

9913DA-AES110-RG • 110-Ohm (Balanced) AES/EBU Distribution Amplifier with Remote Gain Control



The **9913DA-AES110-RG 110-Ohm (Balanced) AES/EBU Distribution Amplifier with Remote Gain Control** is a broadcast-quality AES distribution amplifier that provides up to eight copies of the input AES/EBU signal. A transformer-coupled input helps prevent ground loop and other grounding-related problems.

The 9913DA-AES110-RG supports audio sampling frequencies from 32kHz to 96kHz. Cable equalization and reclocking techniques enable the 9913DA-AES110-RG to recover the incoming digital audio signal reliably. The 9913DA-AES110-RG also includes built-in loudness measurement, with ITU1770 LKFS loudness measurement displayed in DashBoard.

110-Ohm (Balanced) AES/EBU Distribution Amplifier with Remote Gain Control

A built-in DSP allows mono-mix and L/R-only outputs (these functions can be locked out for Dolby® signal processing). The DSP attenuation function allows overall gain (stereo ganged) trim (offset) via DashBoard™ remote control.

The space-saving design and very low power consumption of the 9913DA-AES110-RG provides for high density, allowing two cards to be collocated in adjacent slots and served by a single, standard-width “split” rear module.

FEATURES

Full remote control of operating mode and gain control

Multiple DSP modes – stereo/pass-thru, mono mix, L/R only outputs

Transformer-coupled input prevents ground loop issues and other ground-related problems

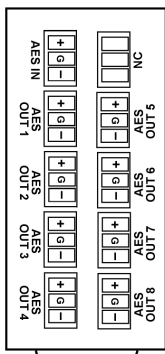
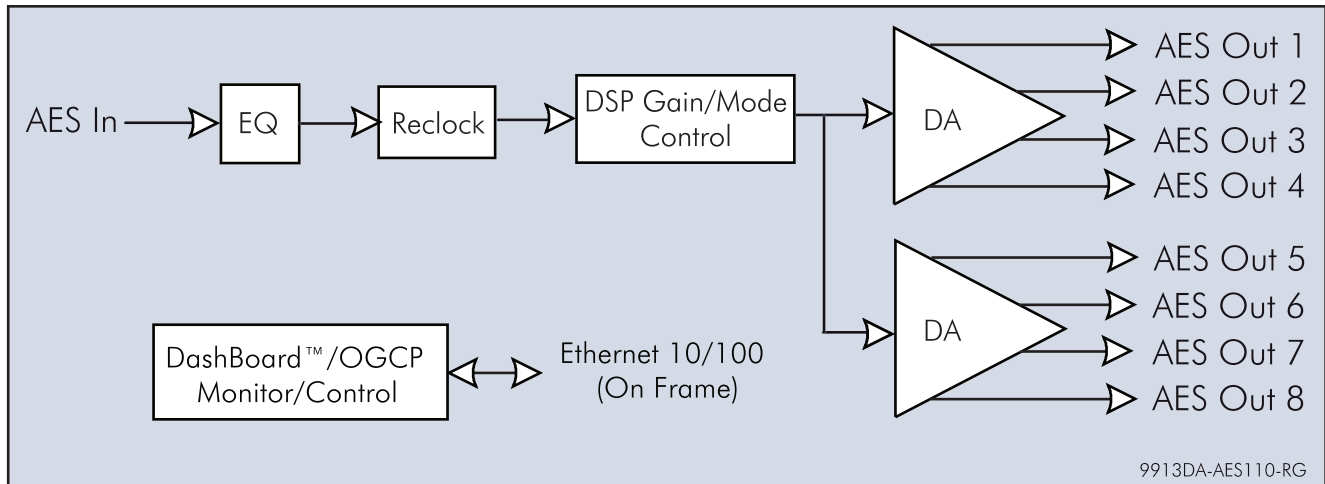
Convenient DSP gain trim via DIP or remote control (gain disable for Dolby/non-PCM usage)

DashBoard LKFS loudness display (10-second averaging)

Selectable card switch control or DashBoard™ remote control (usable with DashBoard™ and Cobalt OGCP-9000 remote control panels)

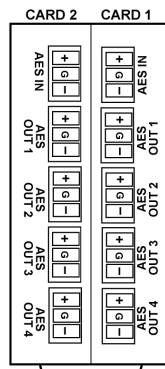
Five year warranty

9913DA-AES110-RG • 110-Ohm (Balanced) AES/EBU Distribution Amplifier with Remote Gain Control



Note: + / G / - orientation on connectors varies from that on other Cobalt products. Make certain hookup is as shown here.

RM20-9913DA110-B



Note: + / G / - orientation on connectors varies from that on other Cobalt products. Make certain hookup is as shown here.

RM20-9913DA110-BIS



**9913DA-AES110-RG • 110-Ohm (Balanced) AES/EBU Distribution Amplifier
with Remote Gain Control****SPECIFICATIONS**

Note: Inputs/outputs are a function in some cases of rear I/O module used.

Power

< 2.2 Watts

AES Input

Number of Inputs: (1), balanced AES/EBU (transformer coupled)

Impedance: 110 Ω , balanced

Maximum Input Level: +27.5 dBu

Connector Type: WECO® removable modular

Equalization: 2000ft (650m) over 110 Ω , twisted-pair cable

Performance

Sampling Rates: 32 kHz to 96 kHz

Signal Level: 0.2 – 7 Vp-p

Resolution: 24-bit

Output Jitter: < 5 ns

AES Output

Number of Outputs: (8) max, balanced AES/EBU (available as stereo, pass-thru, mono-mixed, or L/R only)

Impedance: 110 Ω balanced

Return Loss: -25 dB

Connector Type: WECO® removable modular

ORDERING INFORMATION

9913DA-AES110-RG 110-Ohm (Balanced) AES/EBU Distribution Amplifier with Remote Gain Control

RM20-9913DA110-B 20-Slot Frame Rear I/O Module (Standard Width) (1) AES Audio In, (8) AES Audio Out (all connectors 3-terminal)

RM20-9913DA110-B/S 20-Slot Frame Rear I/O Module (Split; supports 2 cards) (1) AES Audio In, (4) AES Audio Out (all connectors 3-terminal; connections are per card)