

9913DA-AES75-RG • 75-Ohm (Unbalanced) AES Distribution Amplifier with Remote Gain Control



The **9913DA-AES75-RG 75-Ohm (Unbalanced) AES Distribution Amplifier with Remote Gain Control** is a broadcast-quality AES distribution amplifier that provides up to eight copies of the input AES-3id signal. A transformer-coupled input helps prevent ground loop and other grounding-related problems.

The 9913DA-AES75-RG supports audio sampling frequencies from 32kHz to 96kHz. Cable equalization and reclocking techniques enable the 9913DA-AES75-RG to recover the incoming digital audio signal reliably. The 9913DA-AES75-RG also includes built-in loudness measurement, with ITU1770 LKFS loudness measurement displayed in DashBoard.

A built-in DSP allows mono-mix and L/R-only outputs (these functions can be locked out for Dolby® signal processing). The DSP attenuation function allows overall gain (stereo ganged) trim (offset) via DashBoard™ remote control.

The space-saving design and very low power consumption of the 9913DA-AES75-RG provides for high density, allowing two cards to be collocated in adjacent slots and served by a single, standard-width “split” rear module.

FEATURES

Full remote control of operating mode and gain control

Multiple DSP modes – stereo/pass-thru, mono mix, L/R only outputs

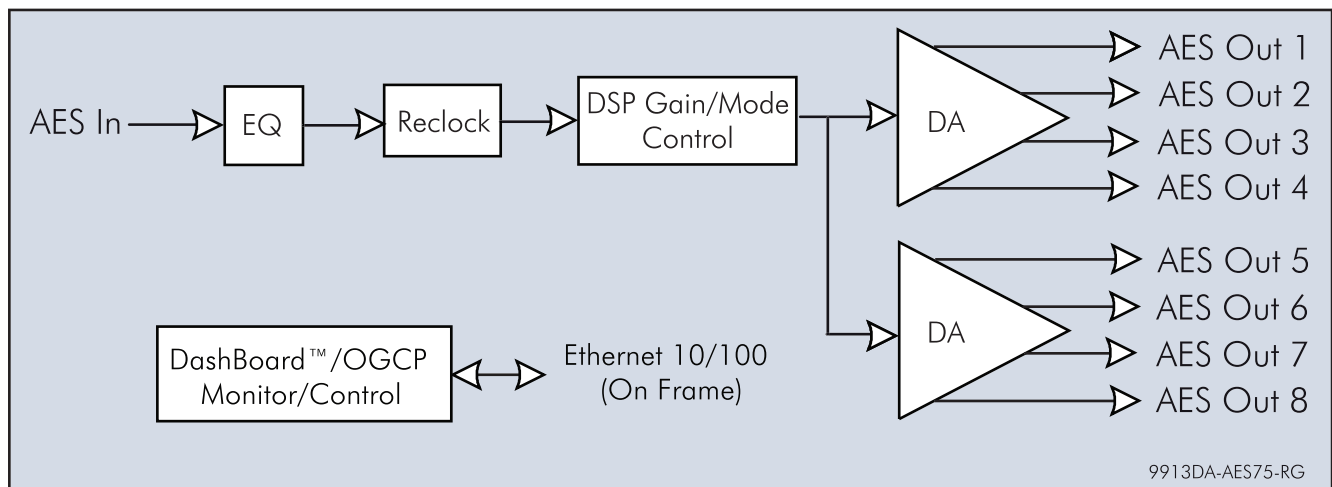
Transformer-coupled input prevents ground loop issues and other ground-related problems

Convenient DSP gain trim via DIP or remote control (gain disable for Dolby/non-PCM usage)

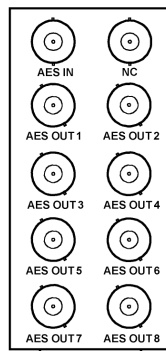
DashBoard LKFS loudness display (10-second averaging)

Selectable card switch control or DashBoard™ remote control (usable with DashBoard™ and Cobalt OGCP-9000 remote control panels)

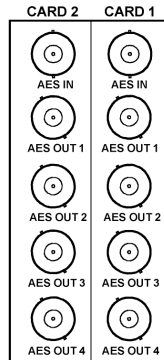
Five year warranty



9913DA-AES75-RG



RM20-9913DA75-A



RM20-9913DA75-AIS



9913DA-AES75-RG • 75-Ohm (Unbalanced) AES Distribution Amplifier with Remote Gain Control

SPECIFICATIONS

Note: Inputs/outputs are a function in some cases of rear I/O module used.

Power

< 2.2 Watts

AES Input

Number of Inputs: (1), unbalanced AES-3id (transformer-coupled)

Impedance: 75 Ω

Maximum Input Level: +27.5 dBu

Performance

Sampling Rates: 32 kHz to 96 kHz

Signal Level: 0.2 – 7 Vp-p

Resolution: 24-bit

Output Jitter: < 5 ns

AES Output

Number of Outputs: (8) max, unbalanced AES-3id (available as stereo, pass-thru, mono-mixed, or L/R only)

Impedance: 75 Ω

Return Loss: -25 dB

ORDERING INFORMATION

9913DA-AES75-RG 75-Ohm (Unbalanced) AES Distribution Amplifier with Remote Gain Control

RM20-9913DA75-A 20-Slot Frame Rear I/O Module (Standard Width) (1) AES Audio In BNC, (8) AES Audio Out BNCs

RM20-9913DA75-A/S 20-Slot Frame Rear I/O Module (Split; supports 2 cards) (1) AES Audio In BNC, (4) AES Audio Out BNCs (connections are per card)