

**9914DA-1x16-12G • 12G/6G/3G/HD/SD-SDI 1x16 Reclocking Distribution Amplifier**



The Cobalt® **9914DA-1x16-12G** 12G/6G/3G/HD/SD-SDI 1x16 Reclocking Distribution Amplifier supports an input channel which is distributed to 16 DA outputs.

As demand for 4K continues to rise, distribution of 12G-SDI signals within a rackspace becomes increasingly important. The 9914DA allows for copper runs of up to 60 meters, reaching most equipment within a rack room or truck.

Up to 10 of the 9914DA-1x16-12G cards can be installed in a frame to provide 10 channels of input, with distribution to up to 160 outputs. Full user DashBoard™ or Remote Control Panel remote control allows full status and control access locally or across a standard Ethernet network.

- Projected availability Q1 2019 -

**FEATURES**

Excellent receive performance:  
12G (60m); 6G (90m); 3G (150m); 1.5G (230m);  
SD (400m)

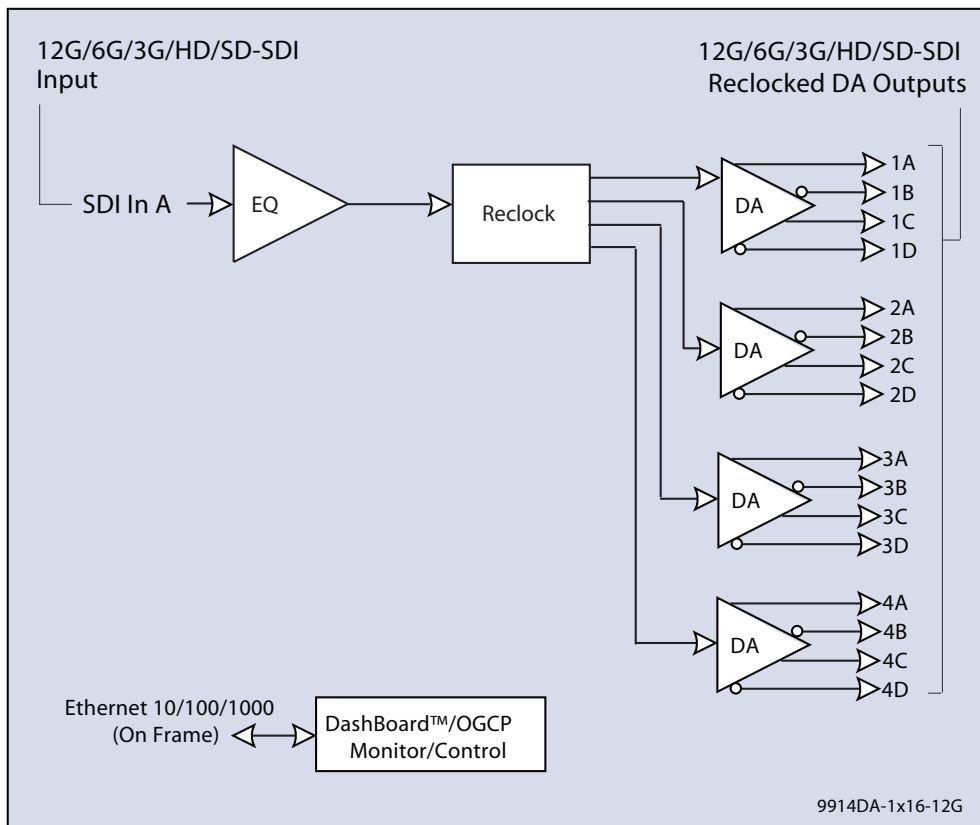
Full support of 12G/6G/3G/HD/SD-SDI and ASI/DVB  
(Up to 8 outputs can be ASI)

Input data rate auto-detection for all industry-standard  
data rates

One-card solution for distribution of 8K/4K content over  
12G-SDI interfaces

Card edge and DashBoard status and individual input  
lock indicators

Five year warranty



9914DA-1x16-12G

# 9914DA-1x16-12G • 12G/6G/3G/HD/SD-SDI 1x16 Reclocking Distribution Amplifier

## SPECIFICATIONS

**Note:** All specifications are preliminary and subject to change. Inputs/outputs are a function of rear I/O module used.

### Power

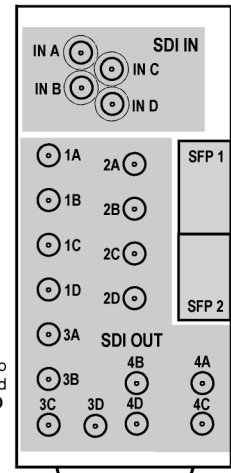
< 10 Watts

### 12G / 6G / 3G / 1.5G / 270M Serial Digital Interface Input/Output

(1) 75Ω HDBNC Connector Input (max). (16) 75Ω HDBNC Connectors Output (max).  
SDI Formats Supported: SMPTE ST2082-1,10, 424M, 292M, SMPTE 259M-C. All inputs/outputs 12G compliant and SDQS/2SI quad 3G compliant.

### Coaxial Receive Performance

SDI Receive Cable Length: 60m/90m/150m/230m/400m (12G/6G/3G/HD/SD)



### Notes:

1. **SFP 1** and **SFP 2** details show SFP locations. SFP receptacle cage and SFP(s) are not part of rear module and instead are available with respective options.

2. All four **SDI IN A** thru **SDI IN D** are functional only when mated to quad input card models. Dual and single card models omit **SDI IN D** as NC, and progressively omit **SDI IN C** and **SDI IN B** as NC.

**RM20-9914-A-HDBNC**

## ORDERING INFORMATION

**9914DA-1x16-12G** 12G/6G/3G/HD/SD-SDI 1x16 Reclocking Distribution Amplifier

### Rear Modules:

**RM20-9914-A-HDBNC** 20-Slot Frame Rear I/O Module (Standard Width) (1) 12G/6G/3G/HD/SD-SDI Input (IN B thru IN D NC), (16) 12G/6G/3G/HD/SD-SDI Outputs (all coaxial connectors HD-BNC)