

9914DA-DUAL-1x8-12G • 12G/6G/3G/HD/SD-SDI Dual 1x8 Reclocking Distribution Amplifier



The Cobalt® **9914DA-DUAL-1x8-12G** 12G/6G/3G/HD/SD-SDI Dual 1x8 Reclocking Distribution Amplifier supports two input channels, with each distributed to eight DA outputs (16 DA outputs total).

As demand for 4K continues to rise, distribution of 12G-SDI signals within a rackspace becomes increasingly important. The 9914DA allows for copper runs of up to 60 meters, reaching most equipment within a rack room or truck.

Up to 10 of the 9914DA-DUAL-1x8-12G cards can be installed in a frame to provide 20 channels of input, with distribution to up to 160 outputs. Full user DashBoard™ or Remote Control Panel remote control allows full status and control access locally or across a standard Ethernet network.

- Projected availability Q1 2019 -

FEATURES

Excellent receive performance:
12G (60m); 6G (90m); 3G (150m); 1.5G (230m);
SD (400m)

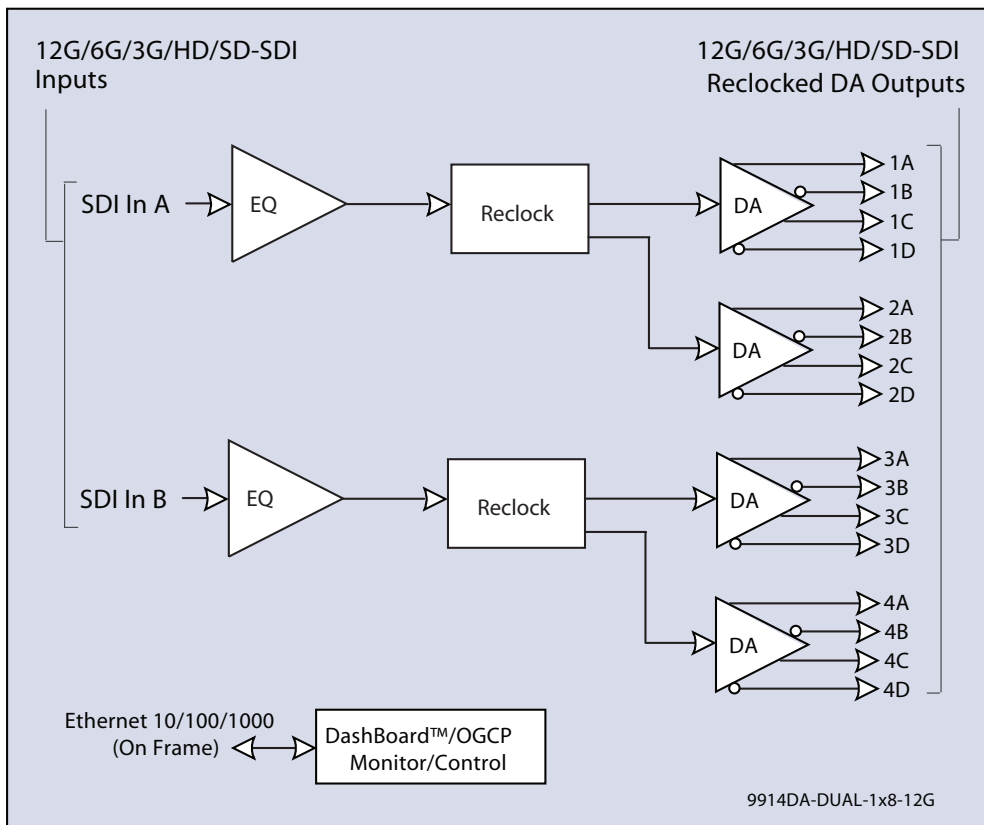
Full support of 12G/6G/3G/HD/SD-SDI and ASI/DVB
(Up to 8 outputs can be ASI)

Input data rate auto-detection for all industry-standard
data rates

One-card solution for distribution of 8K/4K content over
12G-SDI interfaces

Card edge and DashBoard status and individual input
lock indicators

Five year warranty



9914DA-DUAL-1x8-12G • 12G/6G/3G/HD/SD-SDI Dual 1x8 Reclocking Distribution Amplifier

SPECIFICATIONS

Note: All specifications are preliminary and subject to change. Inputs/outputs are a function of rear I/O module used.

Power

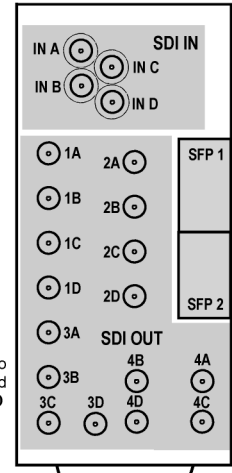
< 10 Watts

12G / 6G / 3G / 1.5G / 270M Serial Digital Interface Input/Output

(2) 75Ω HDBNC Connectors Input (max). (16) 75Ω HDBNC Connectors Output (max).
SDI Formats Supported: SMPTE ST2082-1,10, 424M, 292M, SMPTE 259M-C. All inputs/outputs 12G compliant and SDQS/2SI quad 3G compliant.

Coaxial Receive Performance

SDI Receive Cable Length: 60m/90m/150m/230m/400m (12G/6G/3G/HD/SD)



Notes:

1. **SFP 1** and **SFP 2** details show SFP locations. SFP receptacle cage and SFP(s) are not part of rear module and instead are available with respective options.

2. All four **SDI IN A** thru **SDI IN D** are functional only when mated to quad input card models. Dual and single card models omit **SDI IN D** as NC, and progressively omit **SDI IN C** and **SDI IN B** as NC.

RM20-9914-A-HDBNC

ORDERING INFORMATION

9914DA-DUAL-1x8-12G 12G/6G/3G/HD/SD-SDI Dual 1x8 Reclocking Distribution Amplifier

Rear Modules:

RM20-9914-A-HDBNC 20-Slot Frame Rear I/O Module (Standard Width) (2) 12G/6G/3G/HD/SD-SDI Inputs (IN C and IN D NC), (16) 12G/6G/3G/HD/SD-SDI Outputs (all coaxial connectors HD-BNC)